

# Barudan

HIGH SPEED AUTOMATIC EMBROIDERY MACHINE

MODEL **BEATME**<sup>902</sup><sub>904</sub><sup>906</sup><sub>908</sub>**-ZN**

## PARTS LIST

**BARUDAN CO., LTD.**

ADDRESS 906 JOSUJI  
ICHINOMIYA-CITY·AICHI-PREF·  
JAPAN

TEL. <0586>76-1137

FAX. <0586>77-1499

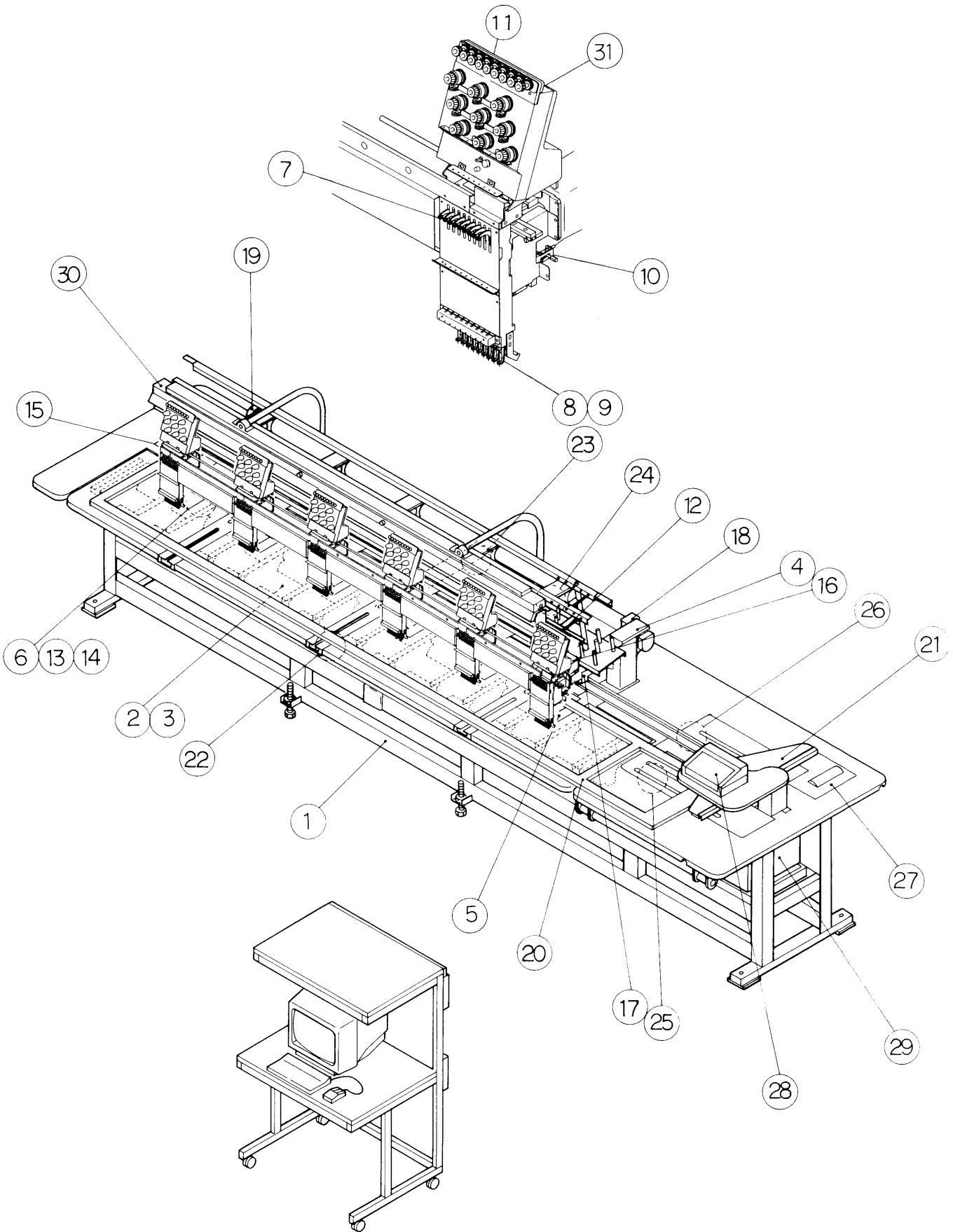
TELEX 4573268 BARUNA J

CABLE BARUNA ICHINOMIYA

## MACHINE PARTS LIST

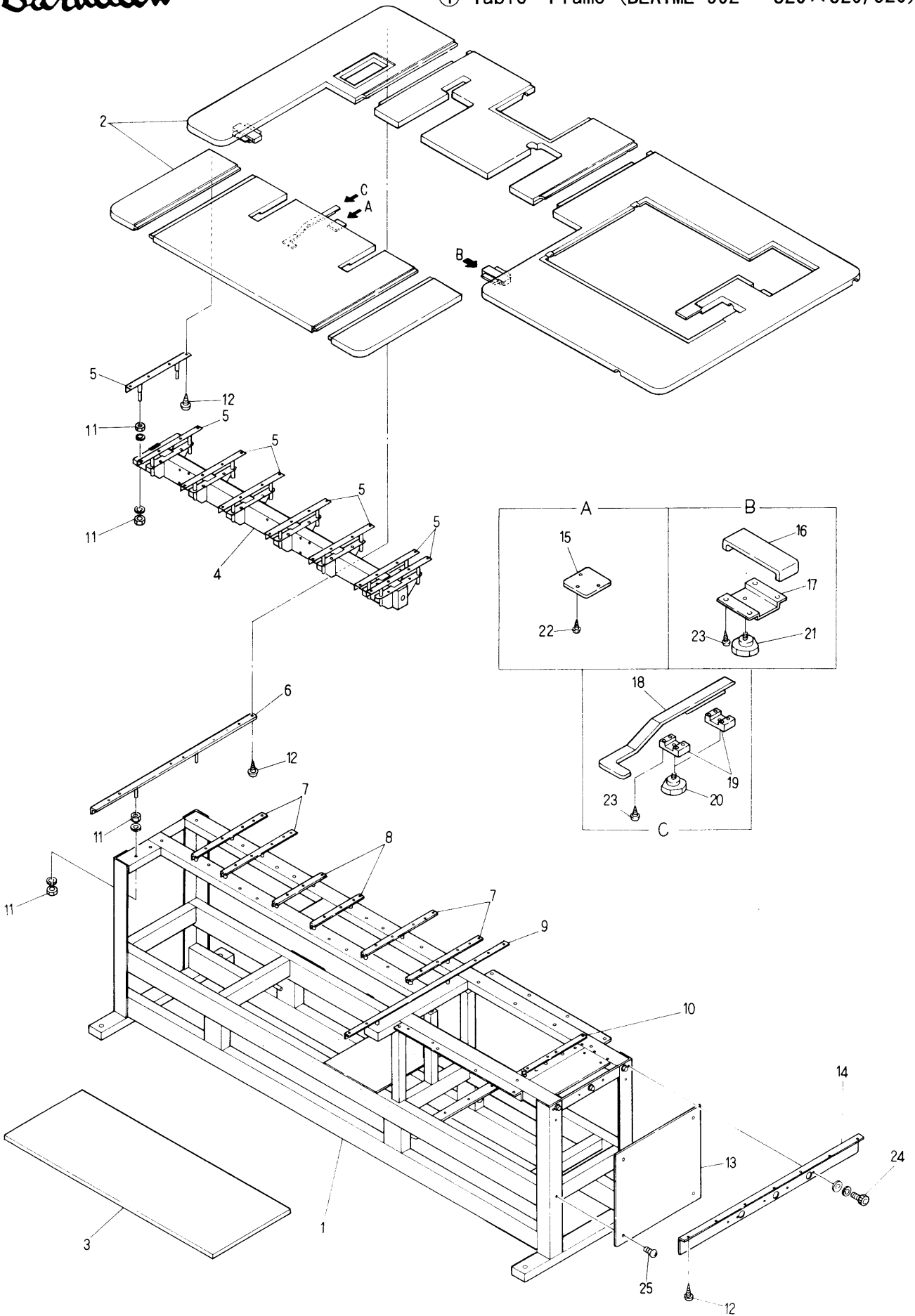
## C O N T E N T S

ITEM No.	Page No.
Machine layout .....	1
① Table・Frame .....	3
② Table lifter mechanism I .....	1 1
③ Table lifter mechanism II .....	1 9
④ Sewing head a'ssy .....	2 1
⑤ Bed a'ssy .....	2 3
⑥ Automatic thread cutting mechanism I (Thread cutting section) .....	2 5
⑦ Take up lever mechanism .....	2 7
⑧ Needle bar mechanism I .....	2 9
⑨ Needle bar mechanism II .....	3 1
⑩ Jump mechanism.....	3 3
⑪ Thread guide mechanism .....	3 5
⑫ Thread guide mechanism(Head with color chage mechanism) .....	3 7
⑬ Automatic thread cutting mechanisme II (Thread away section) .....	3 9
⑭ Automatic thread cutting mechanisme III (Thread support section) .....	4 1
⑮ Automatic thread cutting mechanisme IV (Drive mechanism) .....	4 3
⑯ Color change mechanism I .....	4 5
⑰ Color change mechanism II .....	4 7
⑱ Connecting shaft mechanism .....	4 9
⑲ Driving mechanism .....	5 1
⑳ Pantograph drive mechanism I (Pantographtion・Cover) .....	5 3
㉑ Pantograph drive mechanism II (T-Pantograph relation) .....	5 5
㉒ Pantograph drive mechanism III (H-Direction・Front) .....	6 3
㉓ Pantograph drive mechanism IV (H-Direction・Rear) .....	6 5
㉔ Pantograph drive mechanism V (H-Direction・Drive) .....	6 7
㉕ Pantograph drive mechanism VI (V-Direction・Front) .....	6 9
㉖ Pantograph drive mechanism VII (V-Direction・Rear) .....	7 1
㉗ Pantograph drive mechanism VIII (V-Direction・Drive) .....	7 3
㉘ Control system I .....	7 5
㉙ Control system II .....	7 7
㉚ Option .....	7 9
㉛ Thread guide mechanism (Lower thread sensorium) .....	8 1
㉜ Cover .....	8 3
INDEX .....	8 4



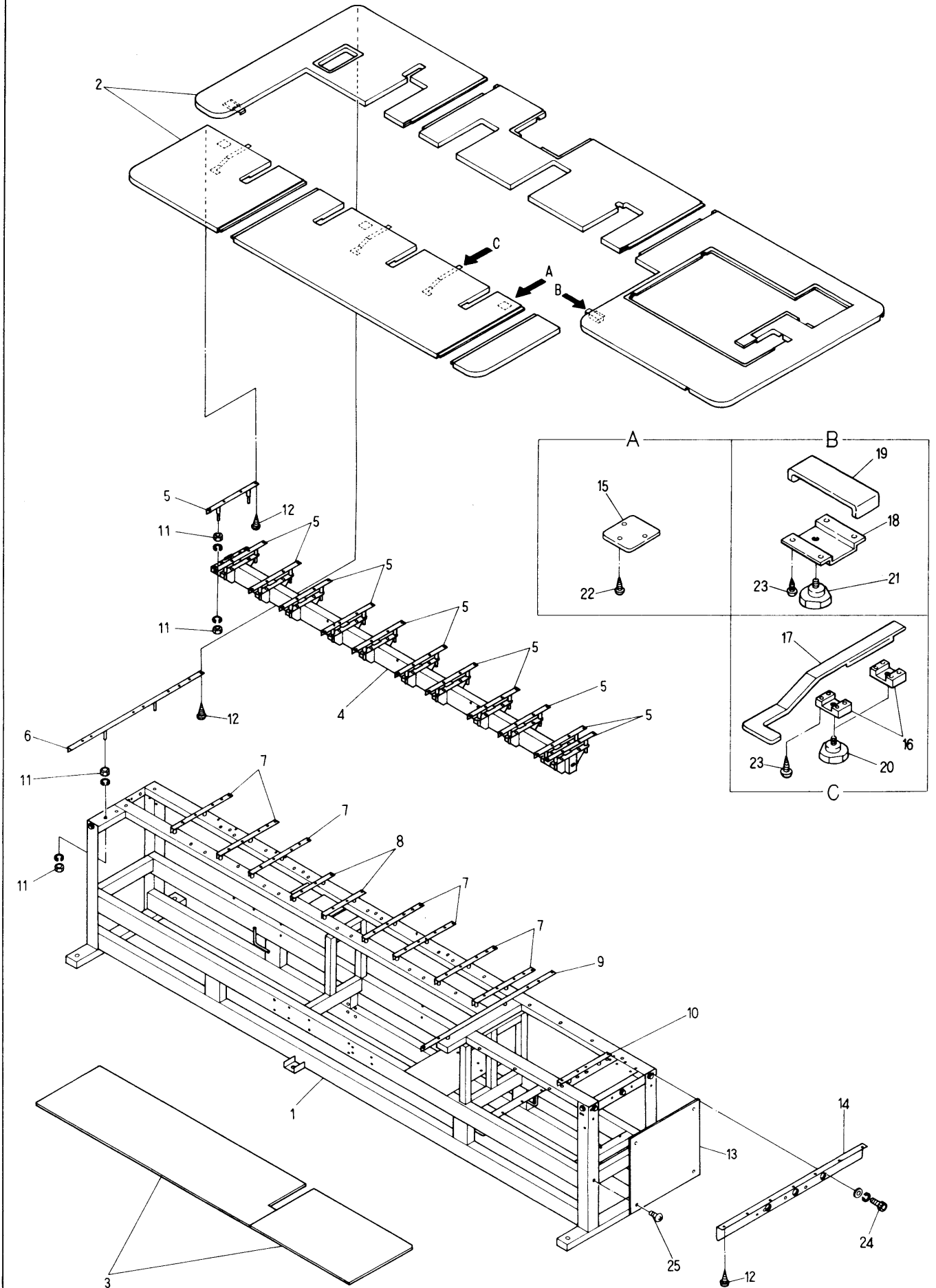
Barudan

① Table • Frame (BEATME-902 320×520/520)



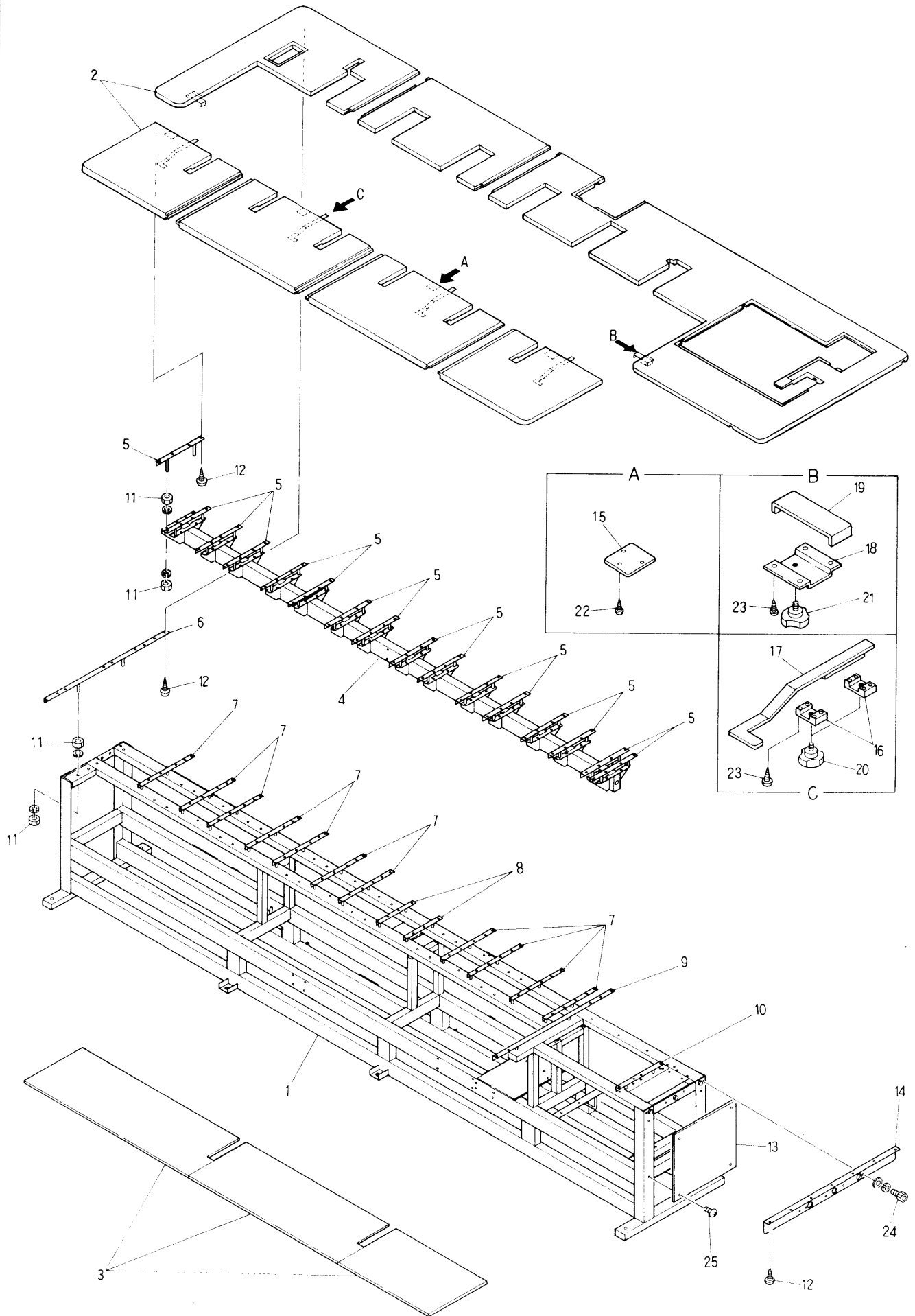
MODEL BEATME-902  
904  
906  
908  
-ZN





MODEL BEATME-904-ZN  
 902  
 904  
 906  
 908



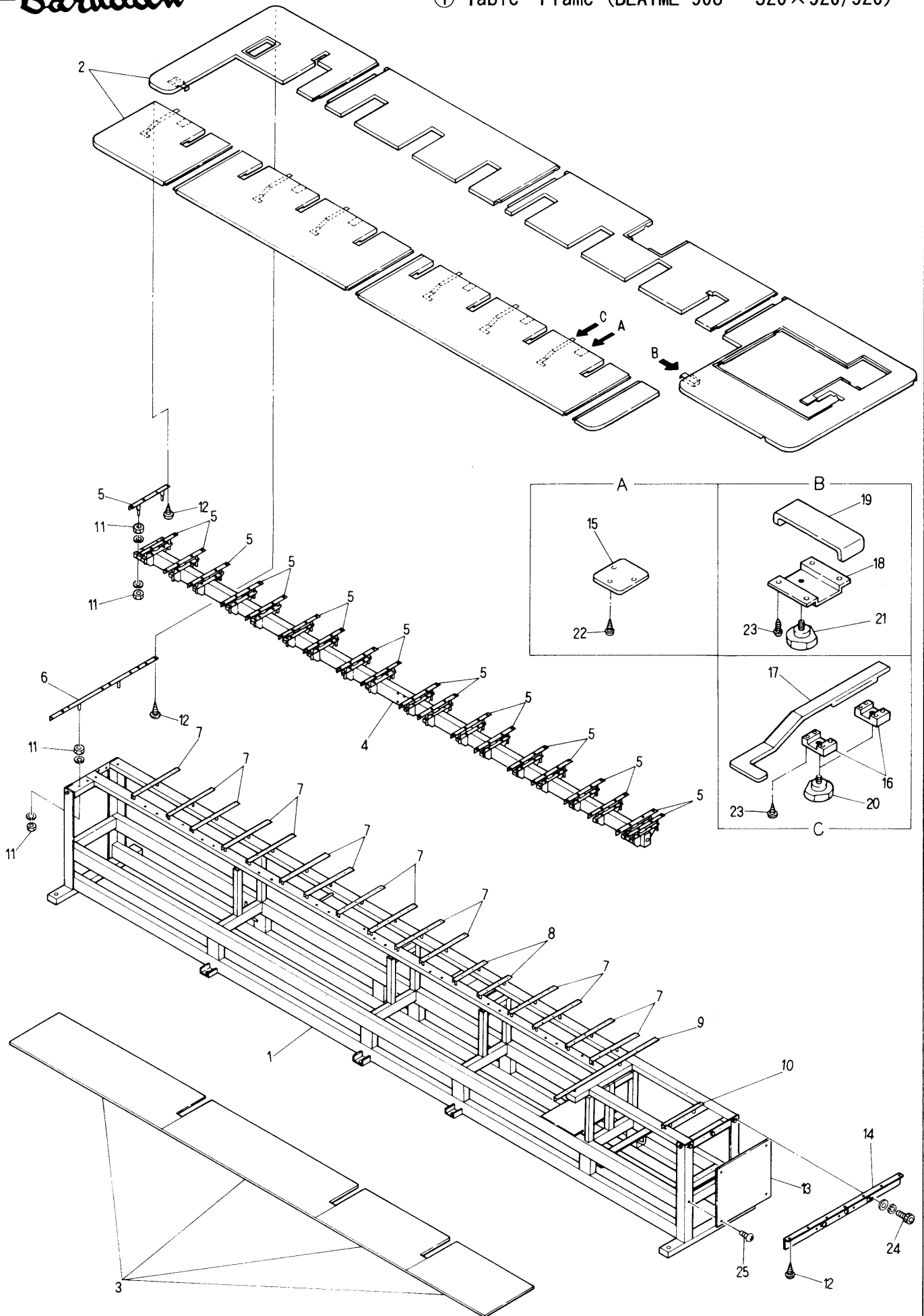






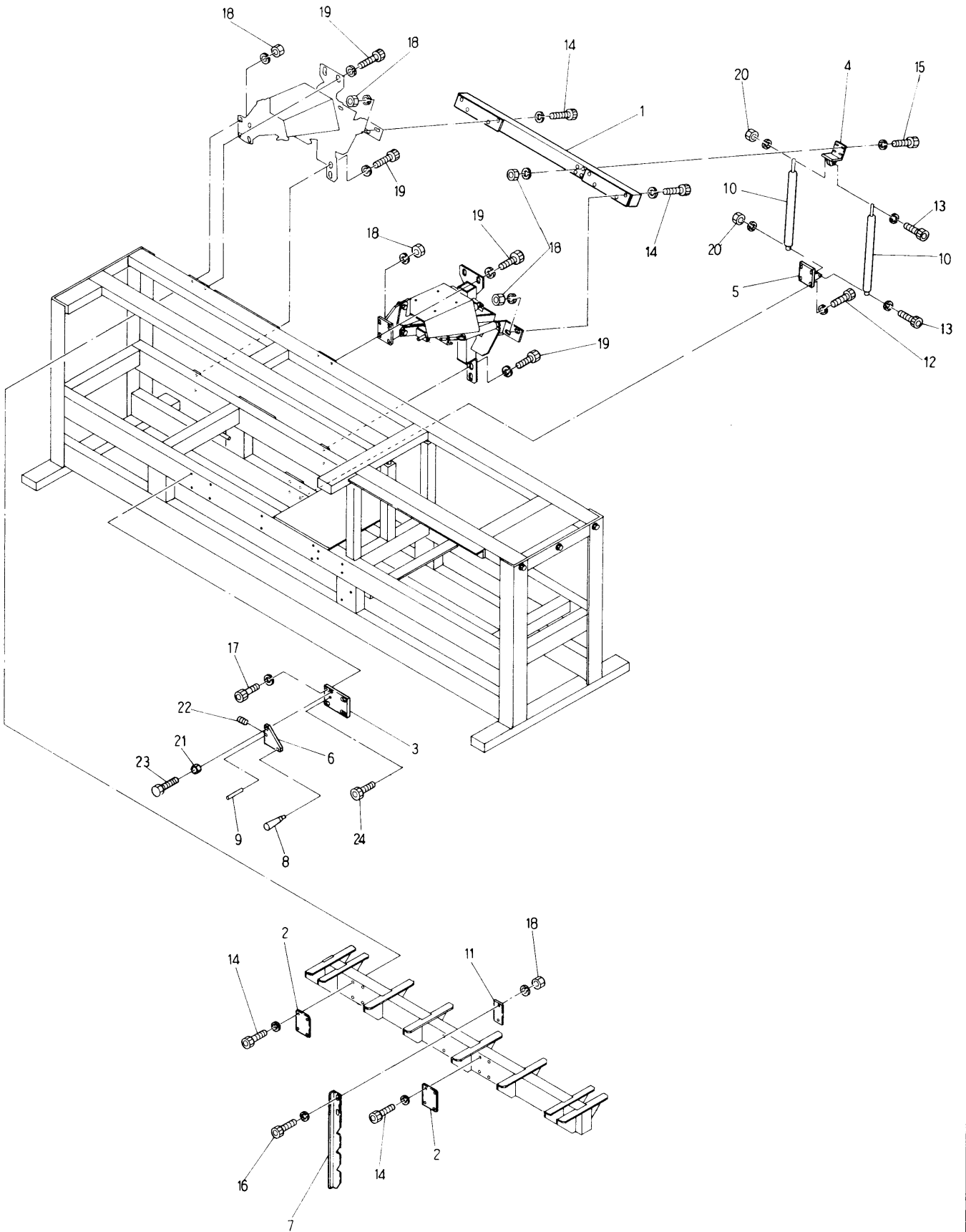
Barudan

① Table • Frame (BEATME-908 320×520/520)

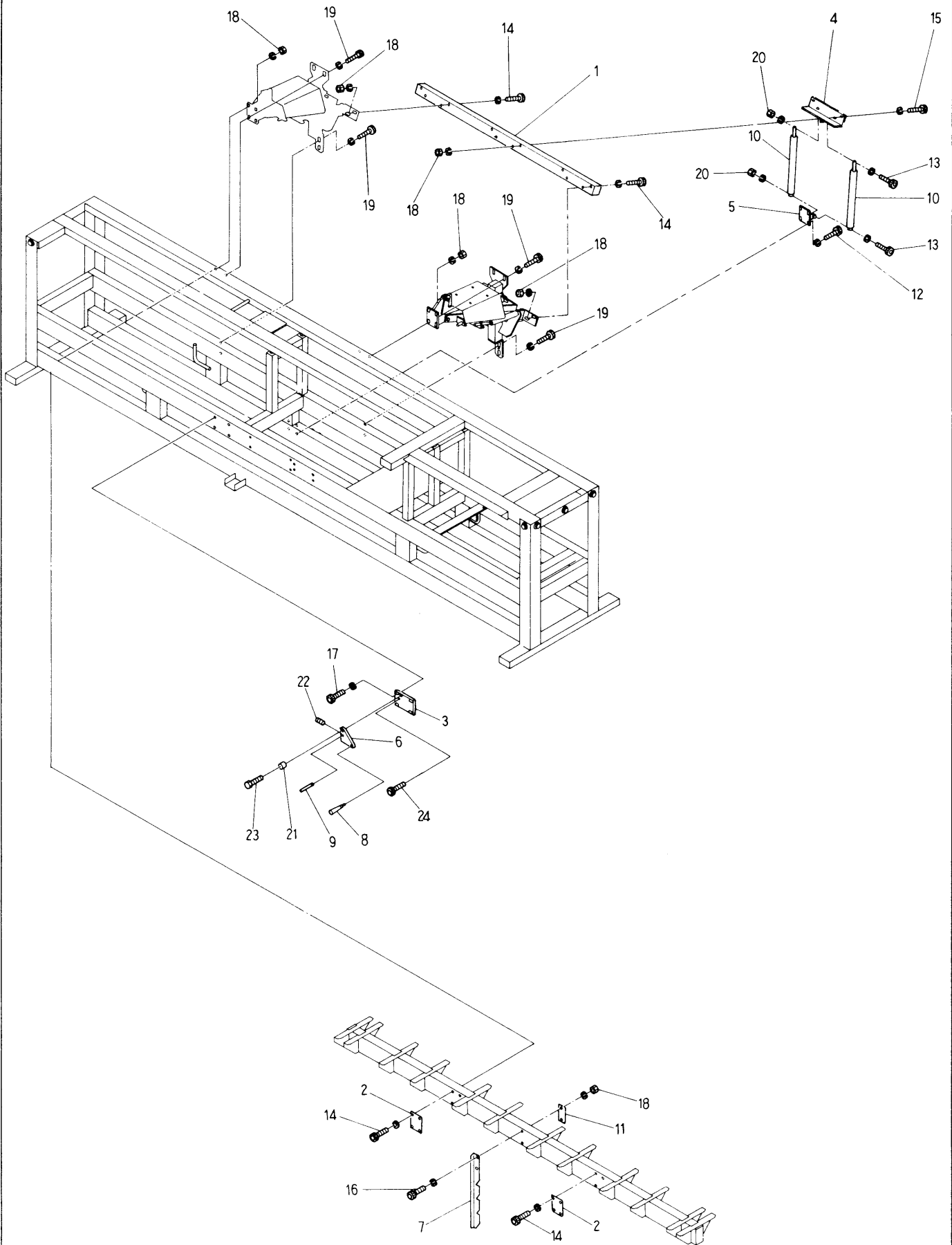


MODEL BEATME-908-ZN







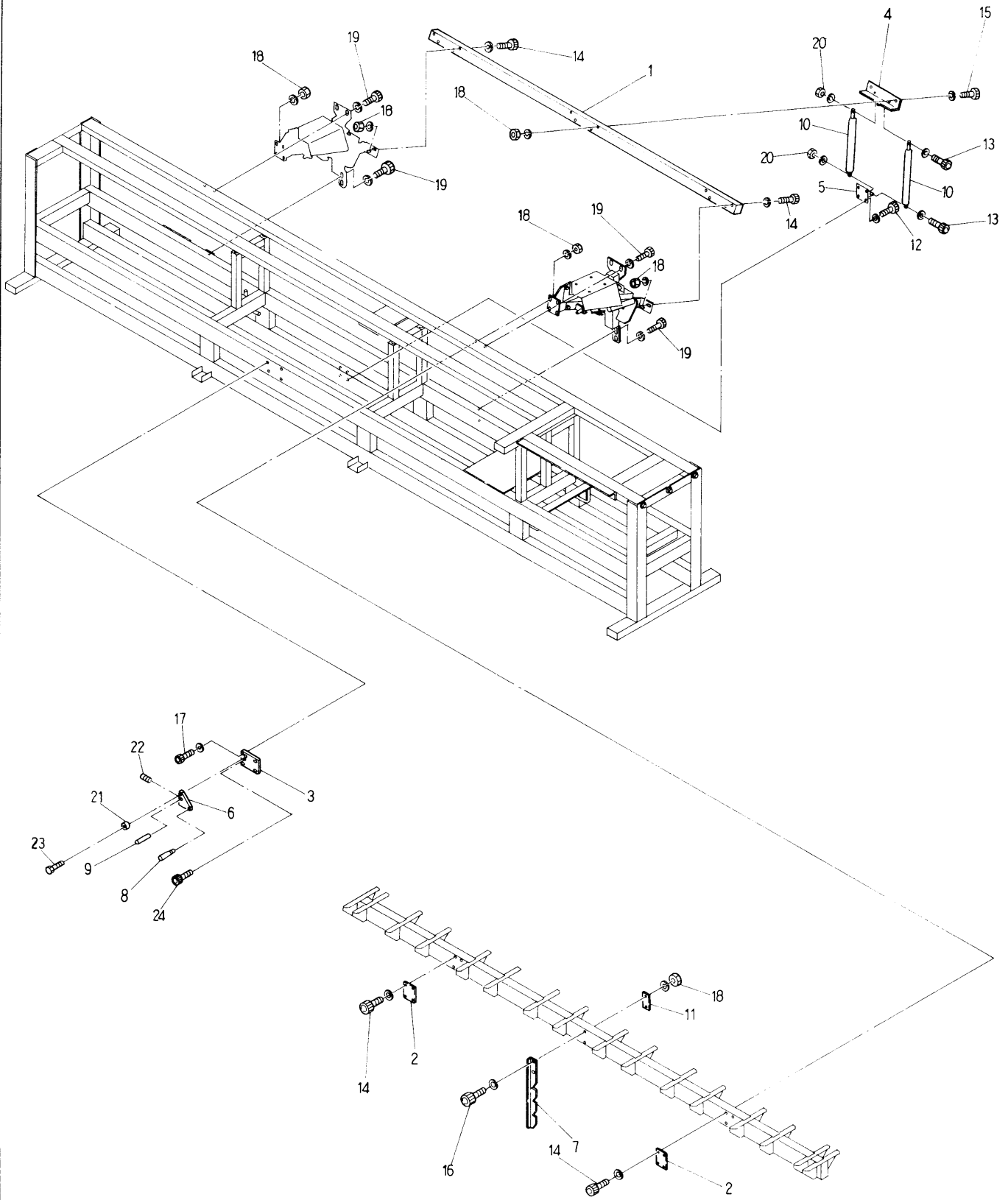




Barudan

② Table lifter mechanism I

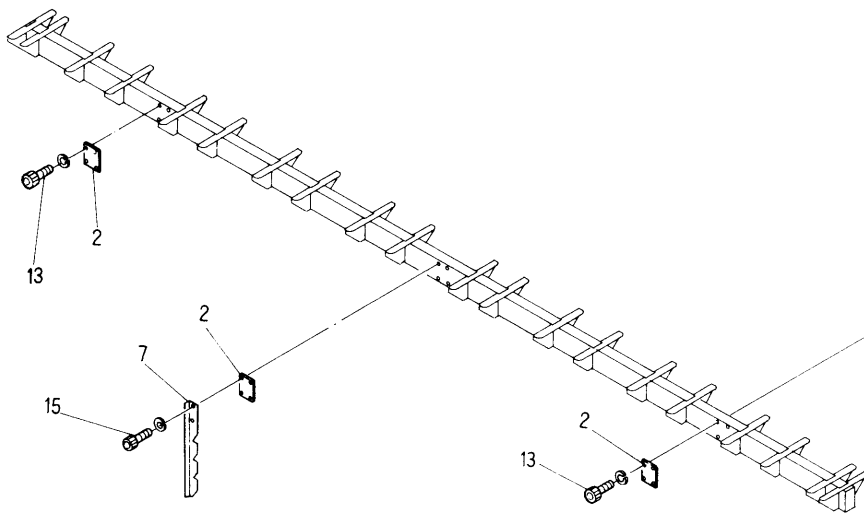
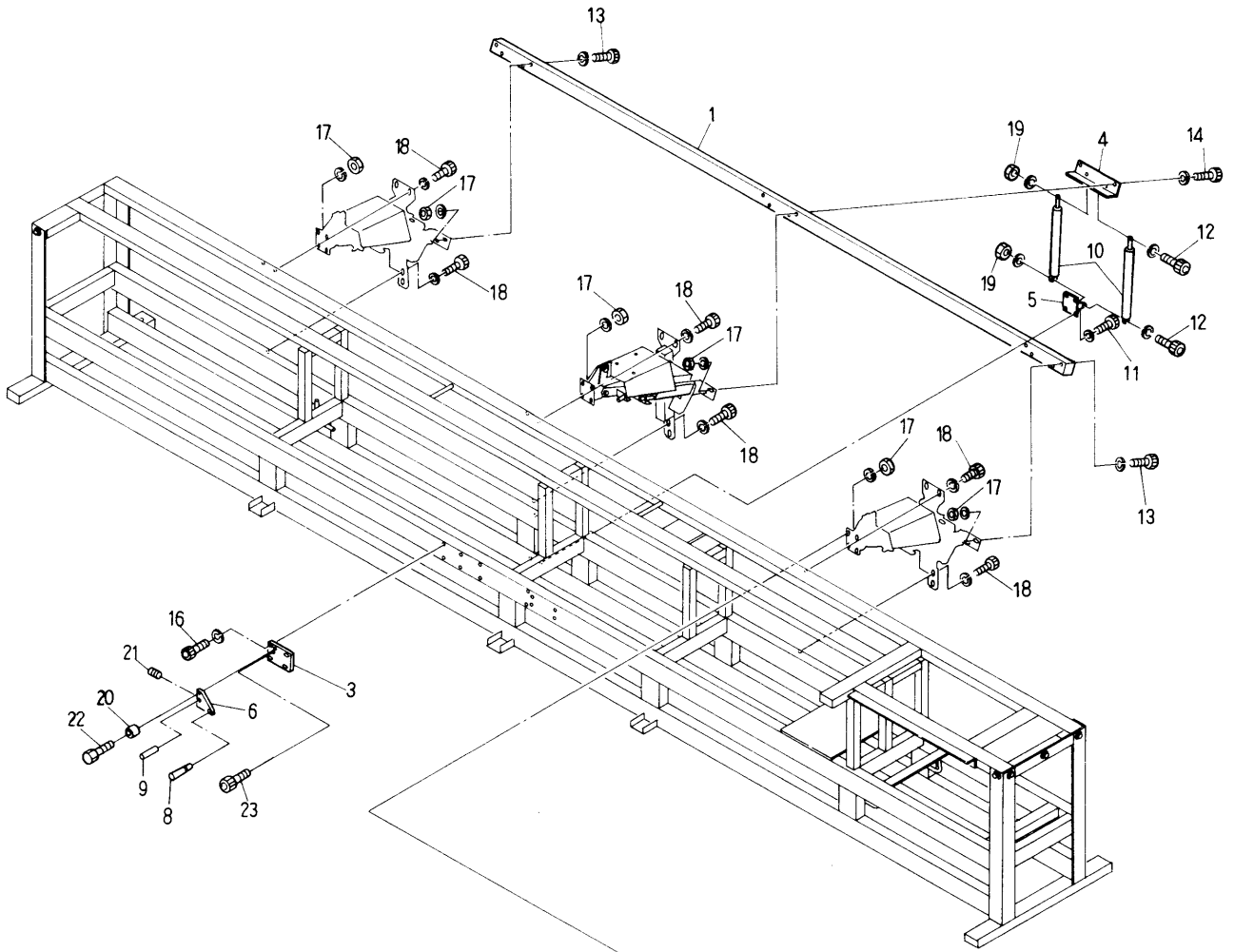
(BEATME-906 320×520/520)



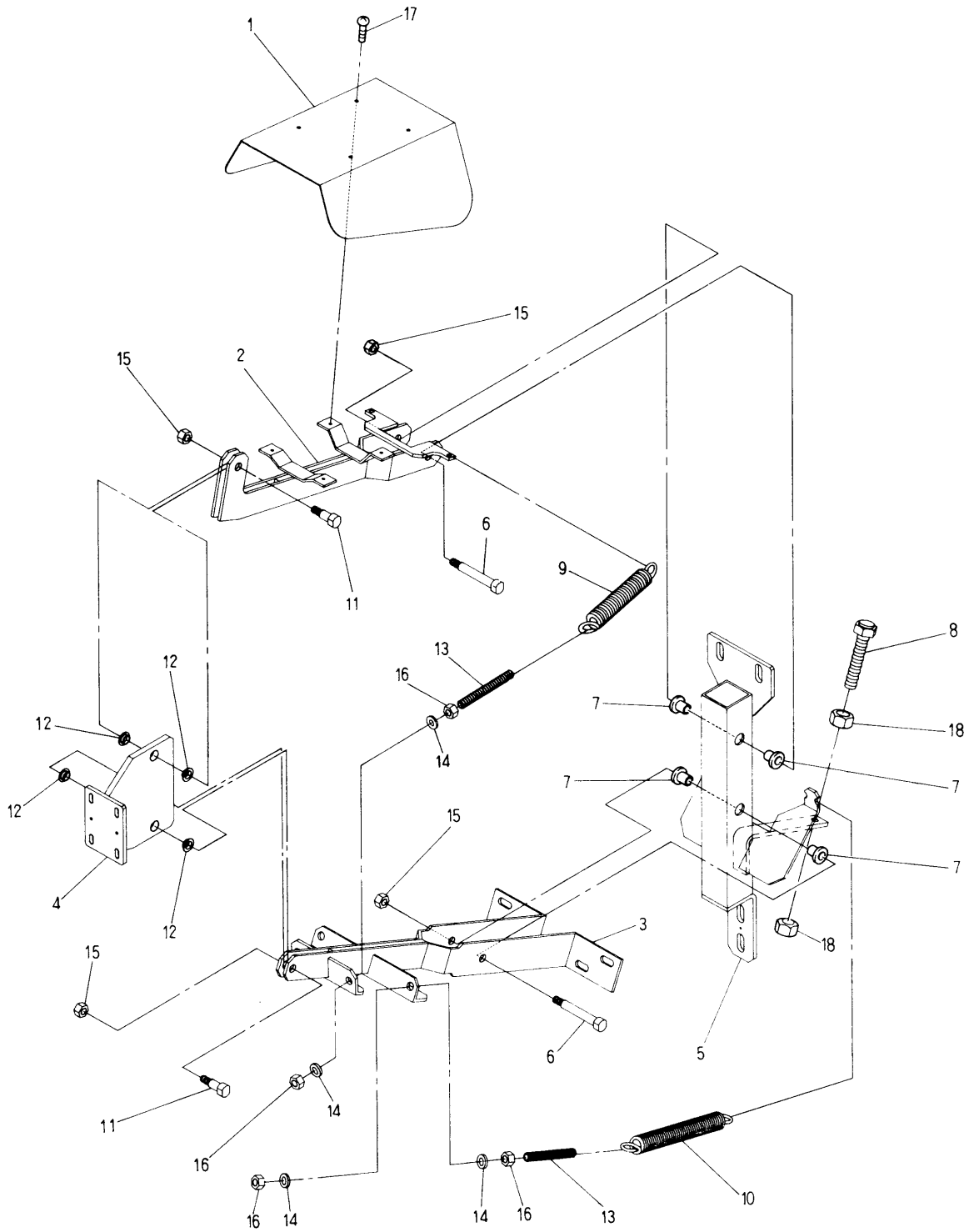
MODEL BEATME-906-ZN



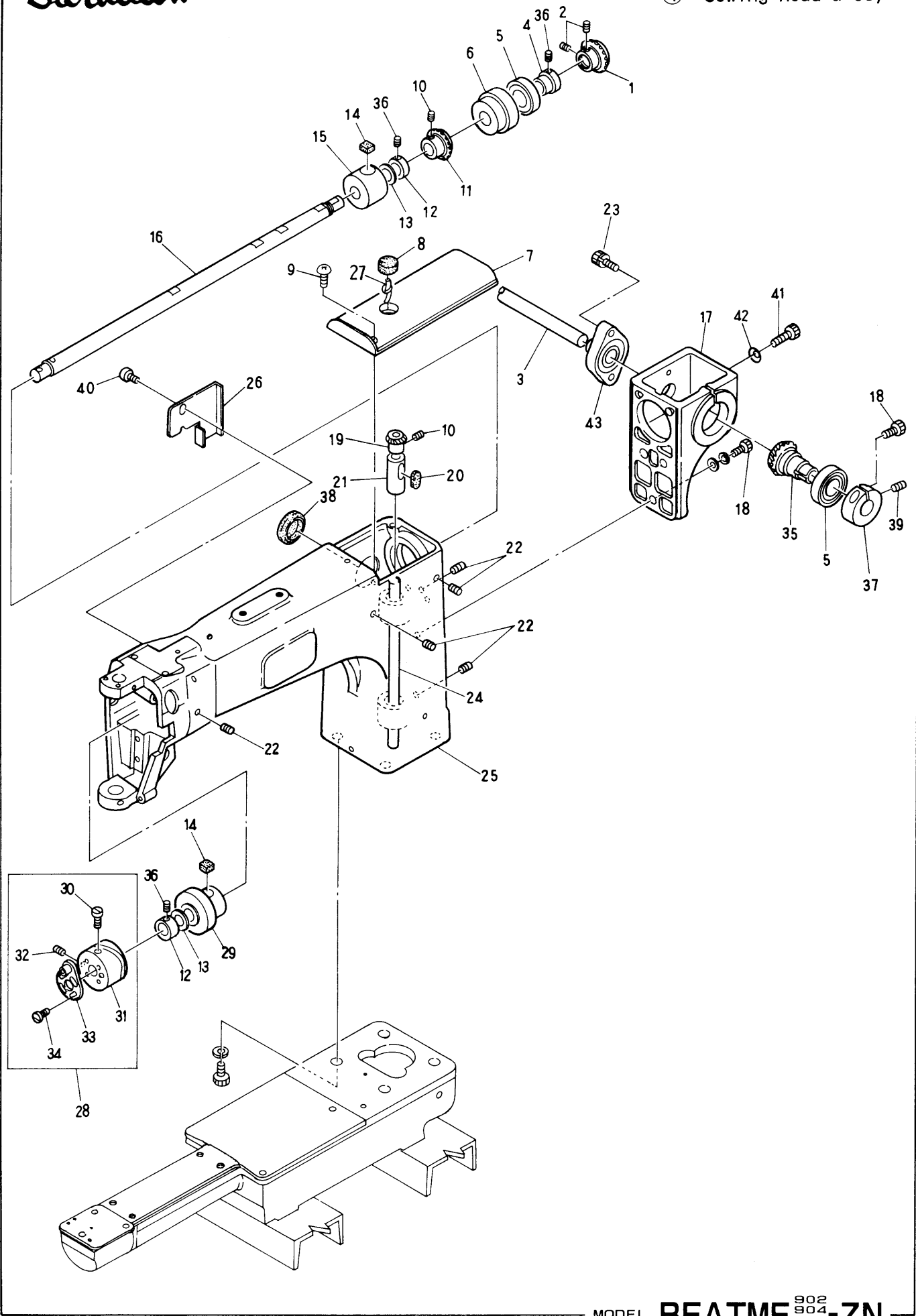








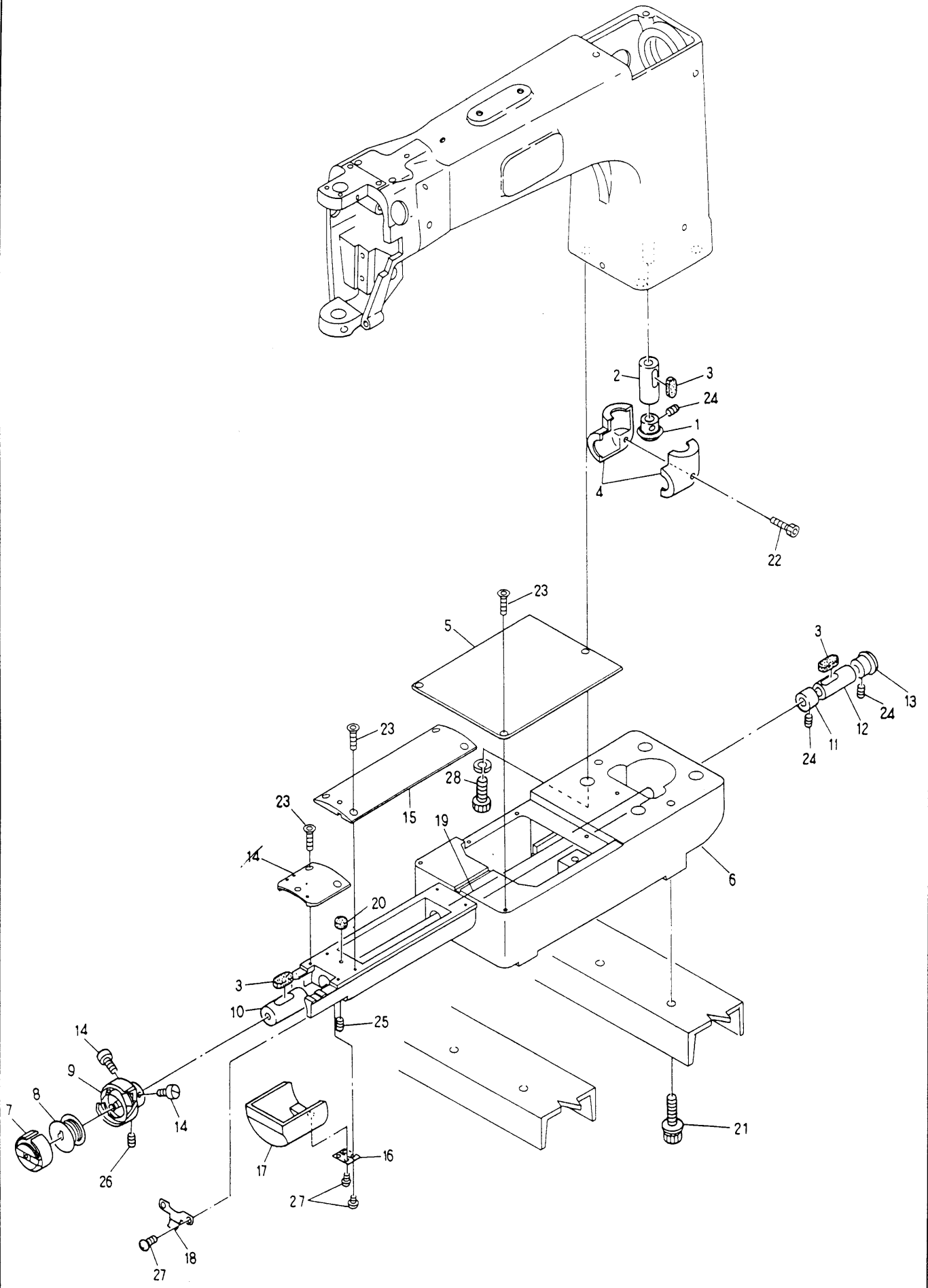




## ④ Sewing head a' ssy

(H=Head Q' TY)

ITEM	LIST No	DESCRIPTION	Q' TY	REMARK
1	KL 2 2 0 1 0 0	Top shaft (Spiral bevel M1.5-25R)	H × 1	
2		Hex. socket set screw M6×6(With adhesion)	H × 2	
3		Top shaft connecting shaft φ15		
4	KL 2 2 0 0 9 0	Top shaft bearing collar (Rear)	H × 1	
5	A 9 0 1 0 0 1 7	Bearing (6004ZZ)	H × 2	
6	KL 2 2 0 0 4 0	Top shaft bearing casee (Rear)	H × 1	
7	KL 2 5 0 0 4 0	Arm top cover	H × 1	
8	KL 2 2 0 1 5 0	Oil felt D	H × 1	
9		Truss screw M4×10		
10		Screw (SM1/4 40×4)		
11	KF 2 2 0 1 3 0	Bevel gear (Top shaft)	H × 1	
12	KL 2 2 0 0 8 0	Top shaft collar	H × 2	
13	HP 2 3 1 3 9 0	Thrust washer (Top shaft gear)	H × 2	
14	KL 2 2 0 1 3 0	Oil felt B	H × 2	
15	KL 2 2 0 0 3 0	Top shaft metal (Middle)	H × 1	
16	KL 2 2 0 0 0 0	Top shaft	H × 1	
17	KL 2 1 0 1 4 0	Arm gear case	H × 1	
18		Hex. socket bolt M6×25		
19	KF 2 2 0 4 6 0	Bevel gear (Vertical shaft upper)	H × 1	
20	KL 2 2 0 1 4 0	Oil felt C	H × 1	
21	KL 2 2 0 0 5 0	Vertical metal (Upper)	H × 1	
22		Hex. socket set screw M6×8		
23		Hex. socket bolt M6×30 (With spring washer)		
24	KL 2 2 0 0 1 0	Vertical shaft	H × 1	
25	KX 2 1 0 0 1 0	Arm	H × 1	
26	KL 2 5 0 0 5 1	Arm side cable cover	H × 1	
27	KC 2 5 1 3 3 0	Oil core L=75	H × 1	
28	KB 2 3 0 0 1 0	Take up lever cam K6 90° with crank	H × 1	
29	KL 2 2 0 0 2 0	Top shaft metal (Front)	H × 1	
30	KF 2 3 0 4 2 0	Take up lever cam set screw	H × 1	
31	KB 2 3 0 0 3 0	Take up lever cam K9	H × 1	
32		Screw (SM15/64 28×10) (With adhesion)	H × 1	
33	KB 2 3 0 0 5 0	90° Crank	H × 1	
34	A 9 0 1 2 0 0 7	Screw (SM11/64 40×10)	H × 1	
35	KL 3 2 0 0 0 0	Connecting gear (Spiral bevel M1.5-25L)	H × 1	
36		Hex. socket set screw M6×6		
37	KL 3 2 0 0 2 0	Connecting gear clamp φ19	H × 1	
38	A 9 0 1 4 0 6 3	Grommet C-30-SG-36A	H × 1	
39		Hex. socket set screw M6×10		
40		Truss screw M4×8		
41		Hex. socket bolt M6×60		
42		Disc spring M6		
43	HP 3 2 1 1 4 0	Top shaft connecting unit	H × 1	

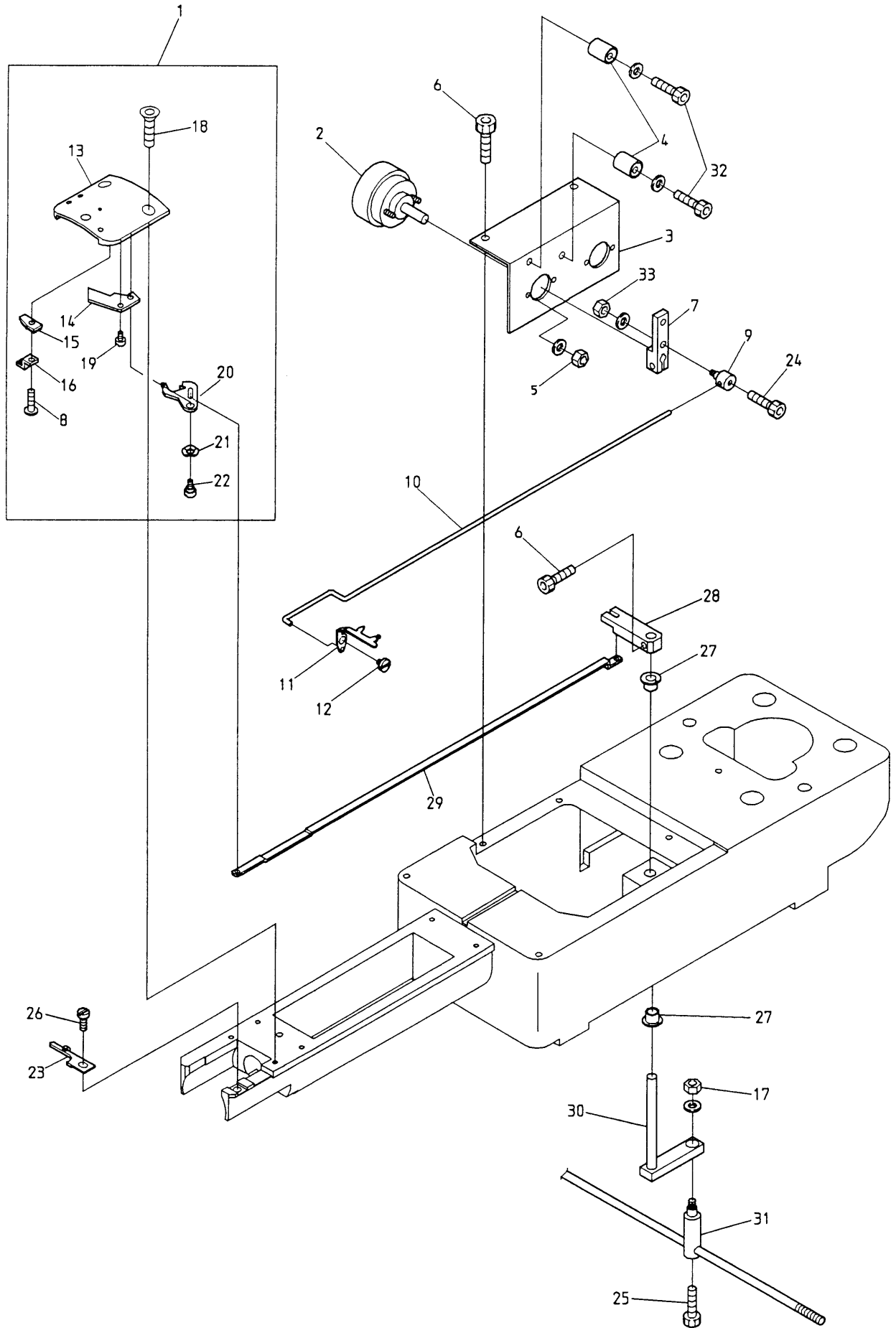


MODEL BEATME 802  
804  
806  
808 -ZN

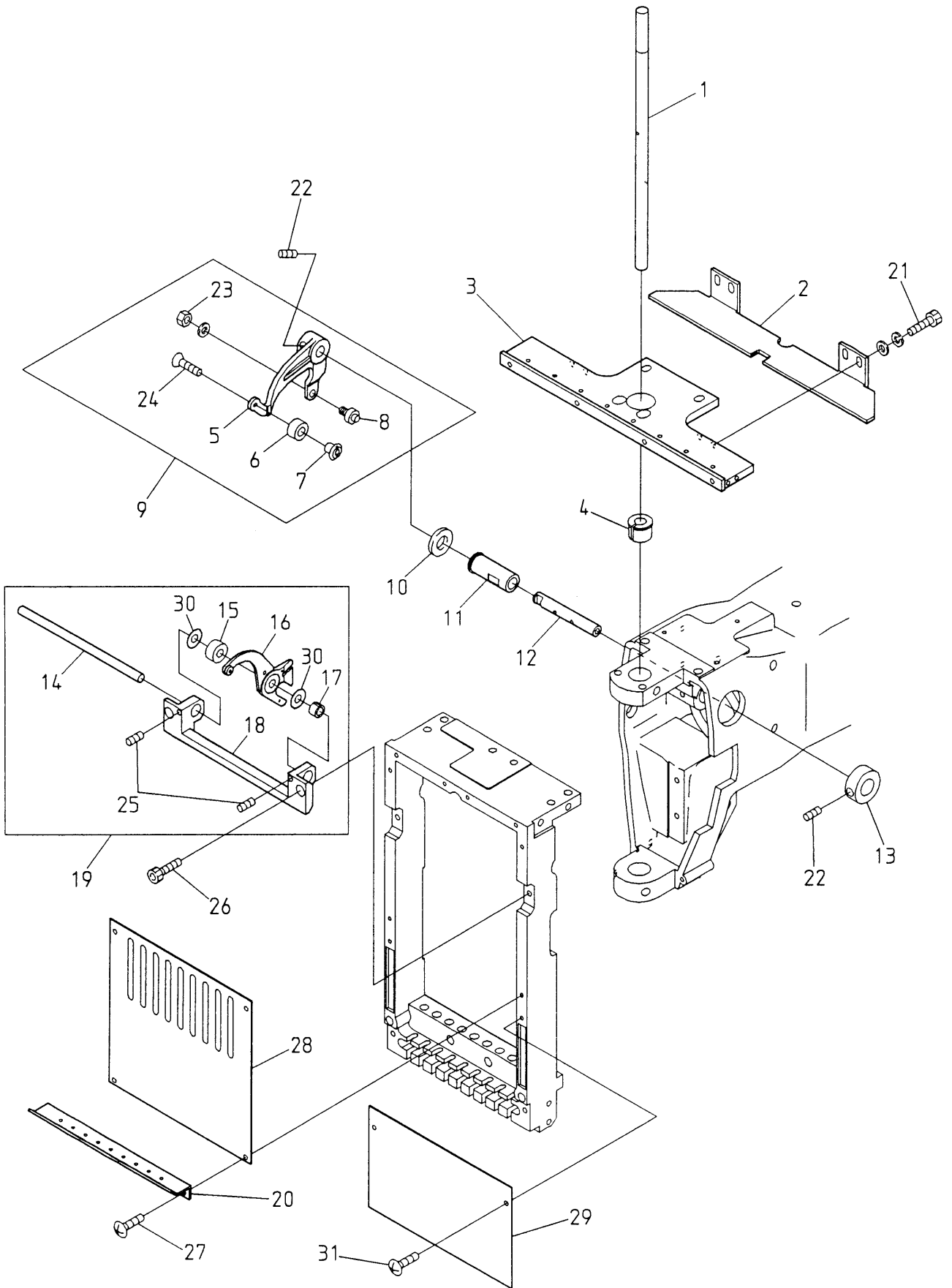




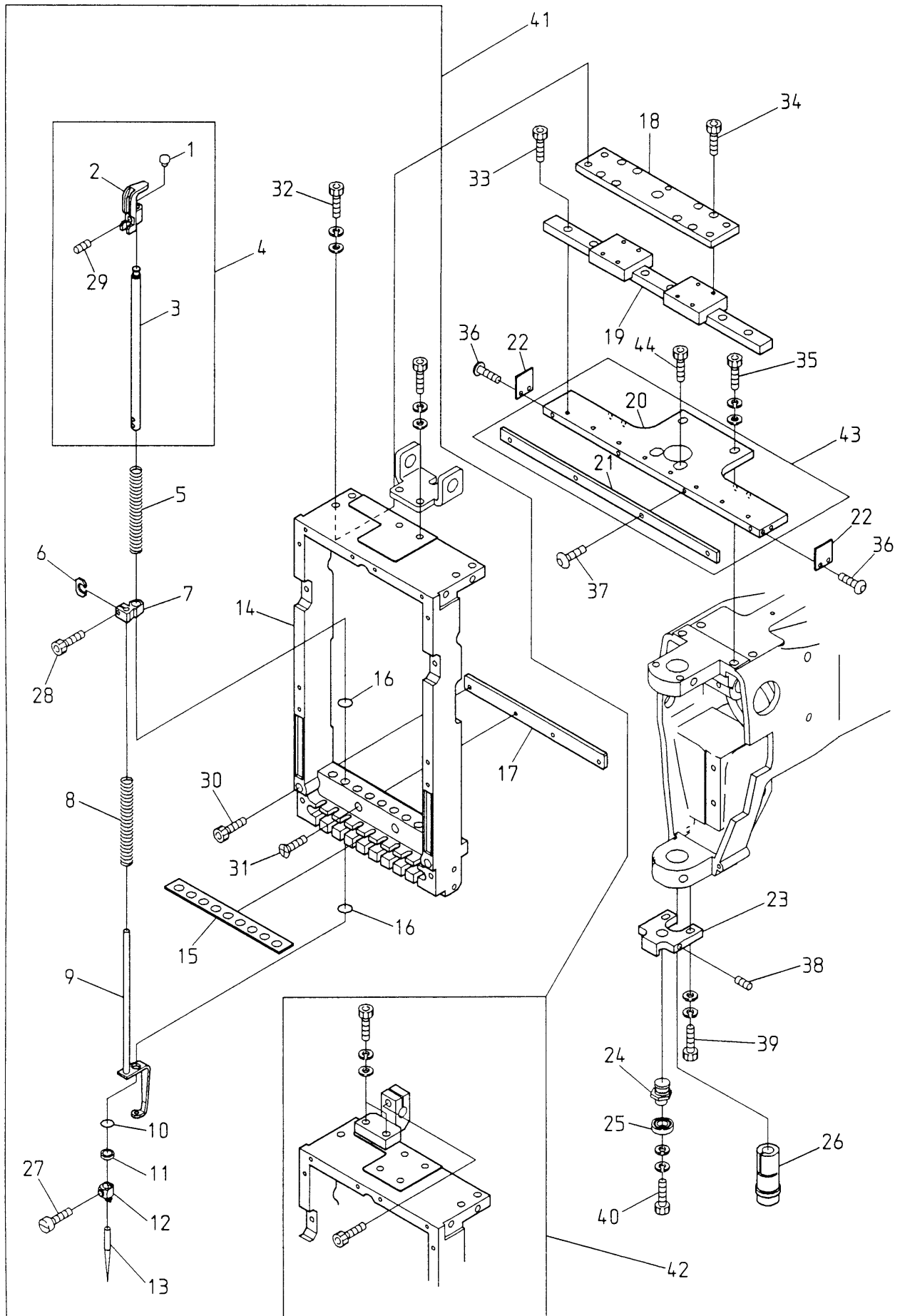
⑥ Automatic thread cutting mechanism I  
(Thread cutting section)







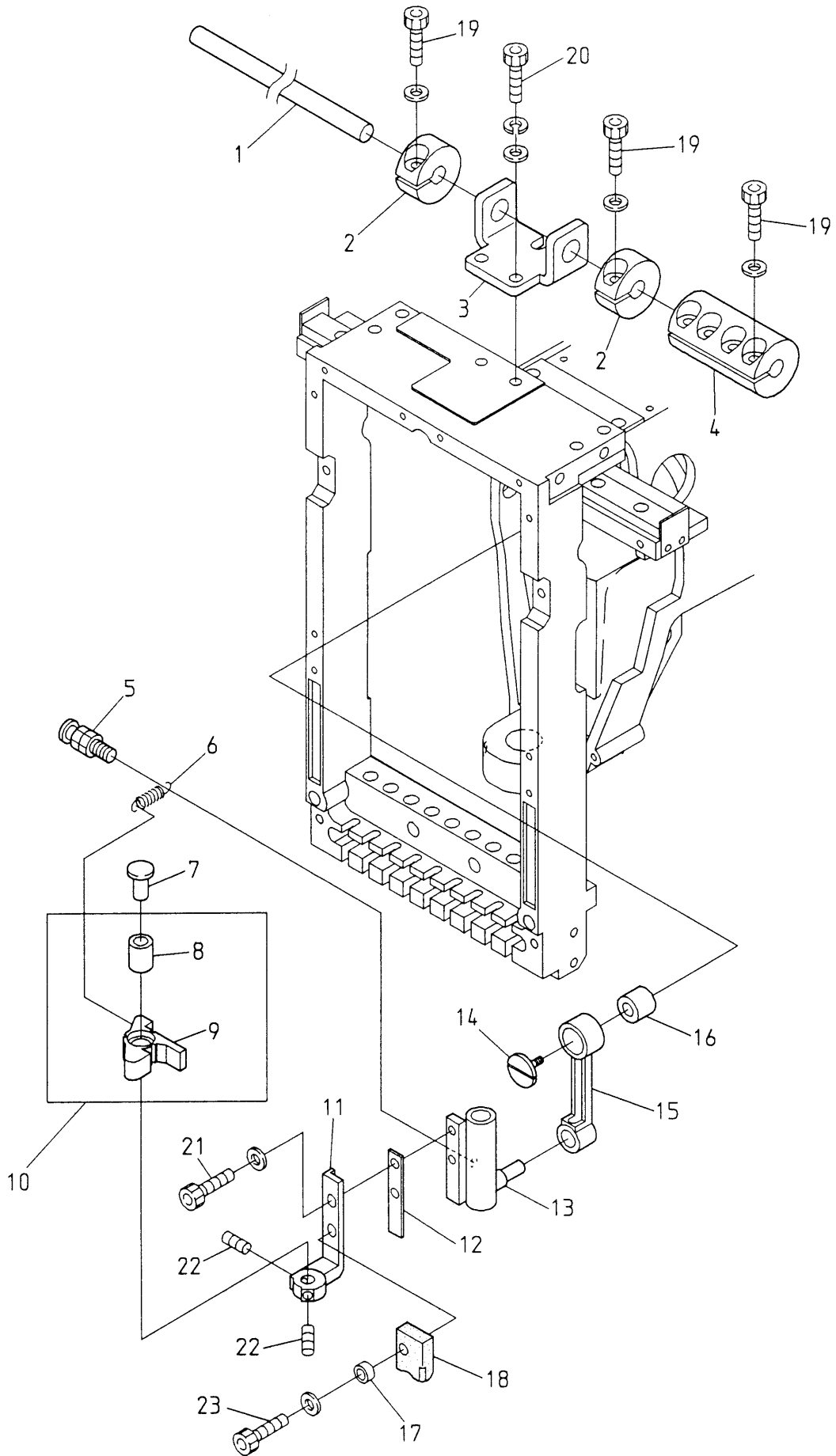




## ⑧ Needle bar mechanism I

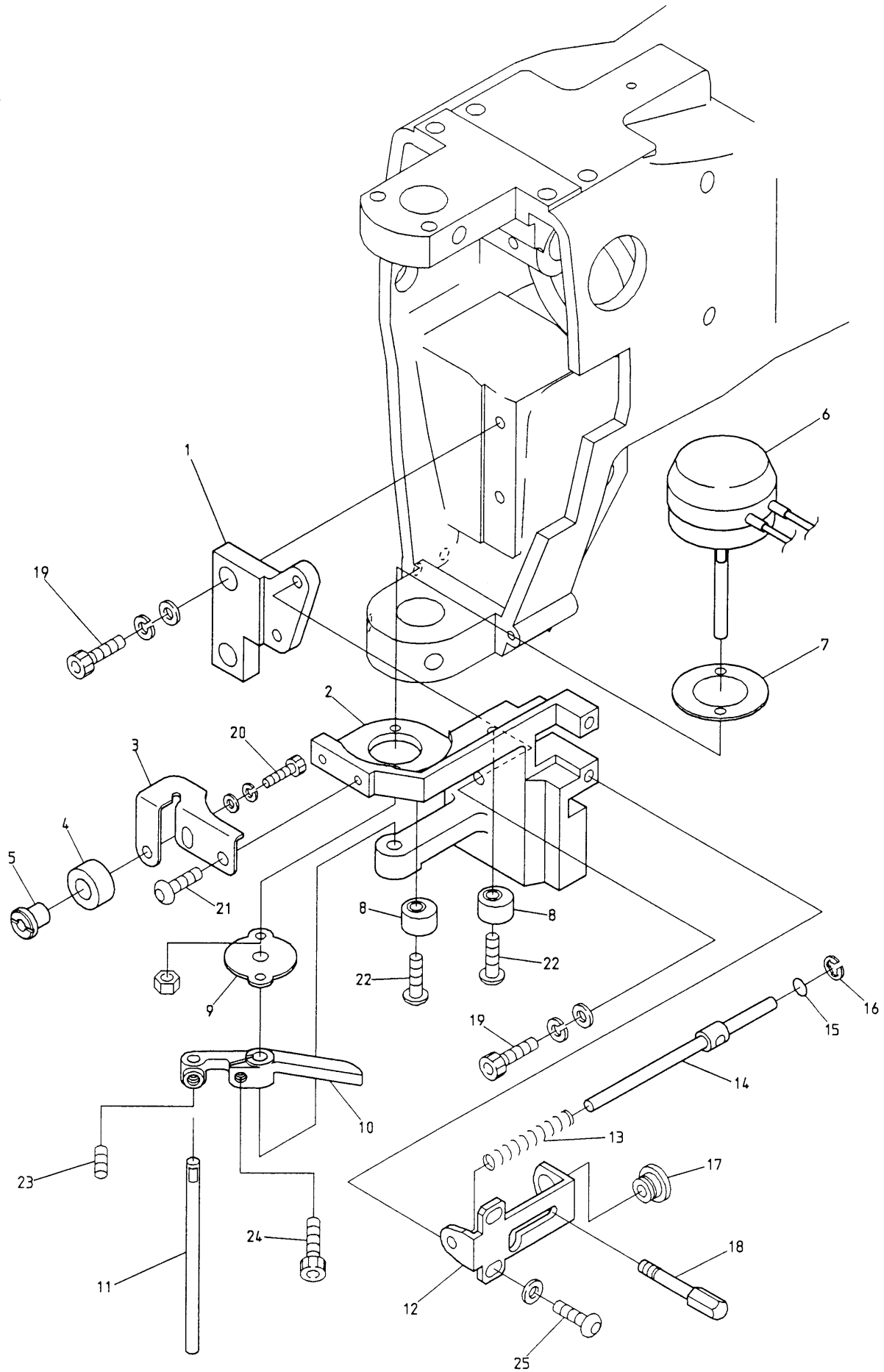
(H=Head Q'TY)

ITEM	LIST No	DESCRIPTION	Q'TY	REMARK
1	HT230130	Needle bar cap	H×9	
2	HT230151	Needle bar guide	H×9	
3	HT230041	Needle bar	H×9	
4	HT230810	Needle bar a'ssy	H×9	
5	HT230251	Needle bar spring	H×9	
6	HT230263	Washer for set clamp	H×9	
7	HT230051	Cloth winder stop latch set screw	H×9	
8	KX230250	Needle bar spring (Lower)	H×9	
9	HT230143	Pressure foot	H×9	
10	KF230910	O-Ring (Small)	H×9	
11	HT230120	Washer 2.4	H×9	
12	HT230670	Needle clamp (With hook)	H×9	
13	KF230250	Needle (DBK5-11)	H×9	
14	KX230000	Slide block	H×1	
15	KX230180	Needle bar felt	H×1	
16	KF230920	O-Ring (Large)	H×18	
17	KX230040	Bearing plate	H×1	
18	KX230010	LM base	H×1	
19	KX230060	LM guide	H×1	
20	KX230020	Base plate	H×1	
21	KX230220	LM rail plate	H×1	
22	KX230190	LM stopper	H×2	
23	KX230030	Bearing guide	H×1	
24	KX230050	Bearing pin	H×1	
25	A9010065	Ball bearing 686ZZ	H×1	
26	KX230080	Driving shaft bush (Lower)	H×1	
27	KF230240	Needle clamp screw (SM9/64 mount 40)	H×9	
28		Hex. socket bolt M3×8		
29		Hex. socket set screw M4×4		
30		Hex. socket bolt M3×25		
31		Hex. socket flush screw M3×25		
32		Hex. socket bolt M5×16 (With washers)		
33		Hex. socket bolt M3×8		
34		Hex. socket bolt M3×6		
35		Hex. socket bolt M5×20 (With washers)		
36		Hex. socket button bolt M3×6		
37		Hex. socket button bolt M3×8		
38		Hex. socket set screw M4×12		
39		Hex. socket bolt M4×15 (With washers)		
40		Hex. socket bolt M4×6 (With washers)		
41	KX230260	Slide block a'ssy		(H-1) × 1
42	KX230300	Slide block a'ssy (color change)	1	
43	KX230270	Base plate a'ssy	H×1	
44		Hex. socket bolt M4×10		

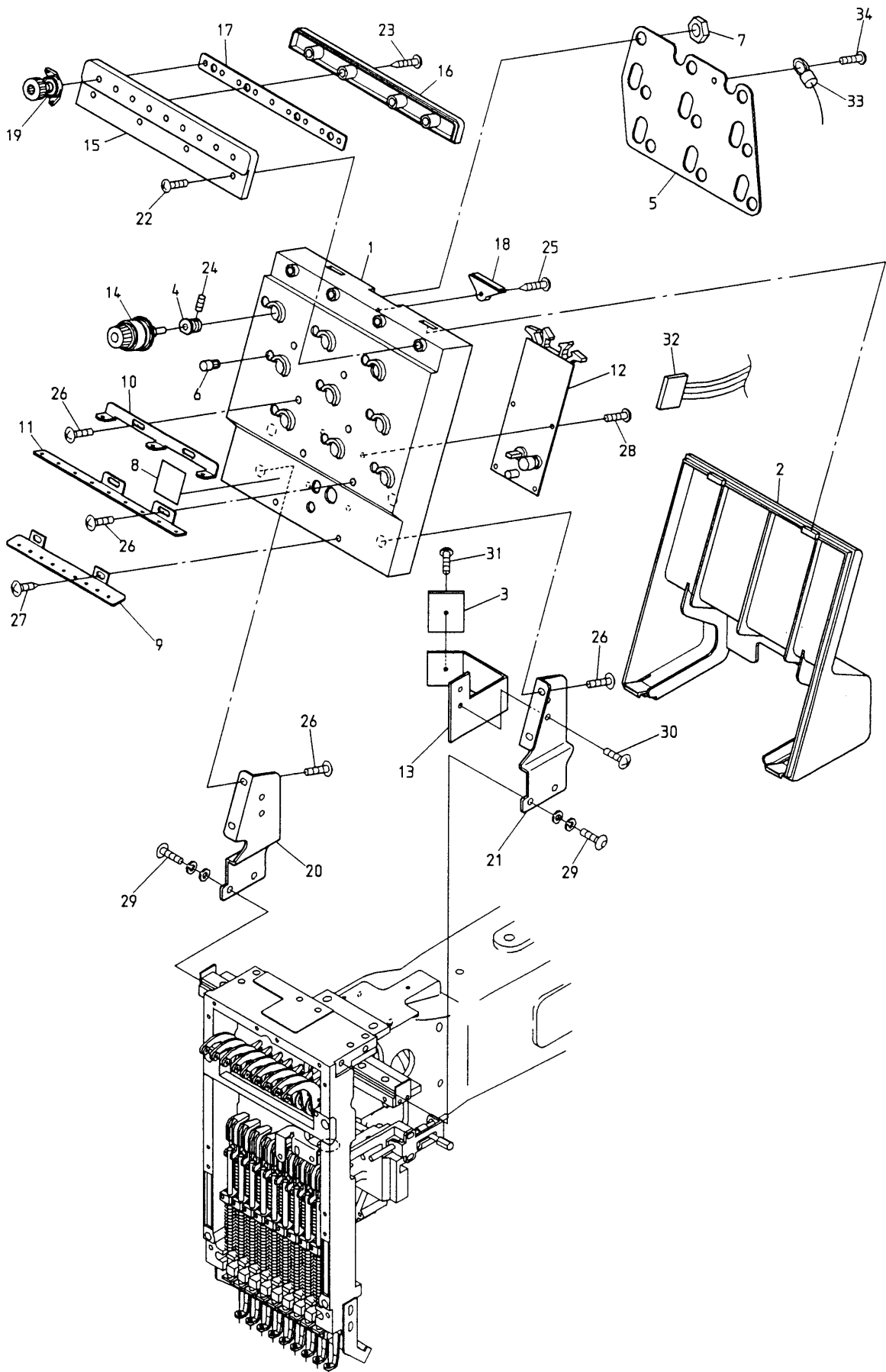








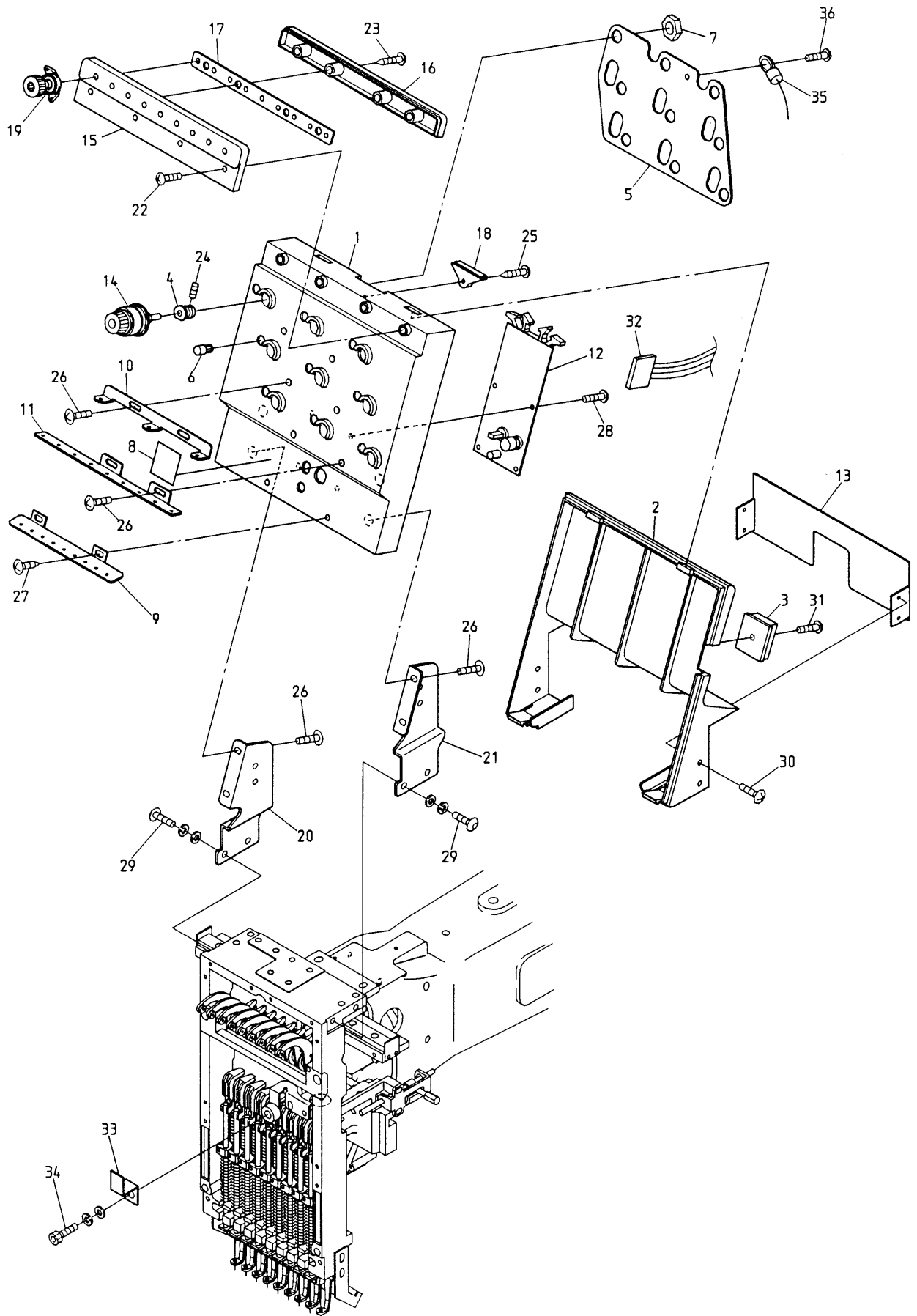






Barudan

⑫ Thread guide mechanism(Head with color chage mechanism)

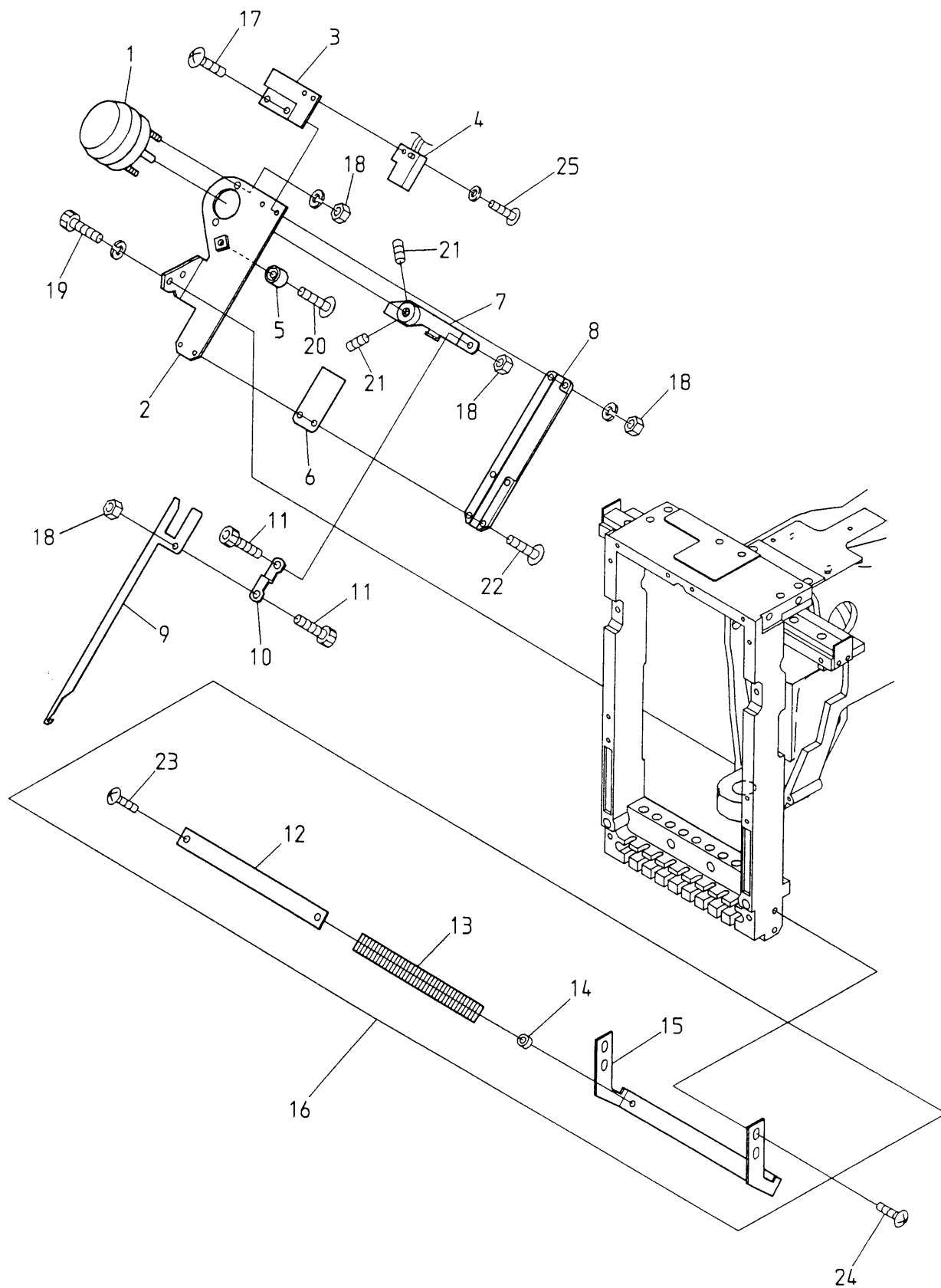


MODEL BEATME-ZN  
9902  
9904  
9906  
9908



Barudan

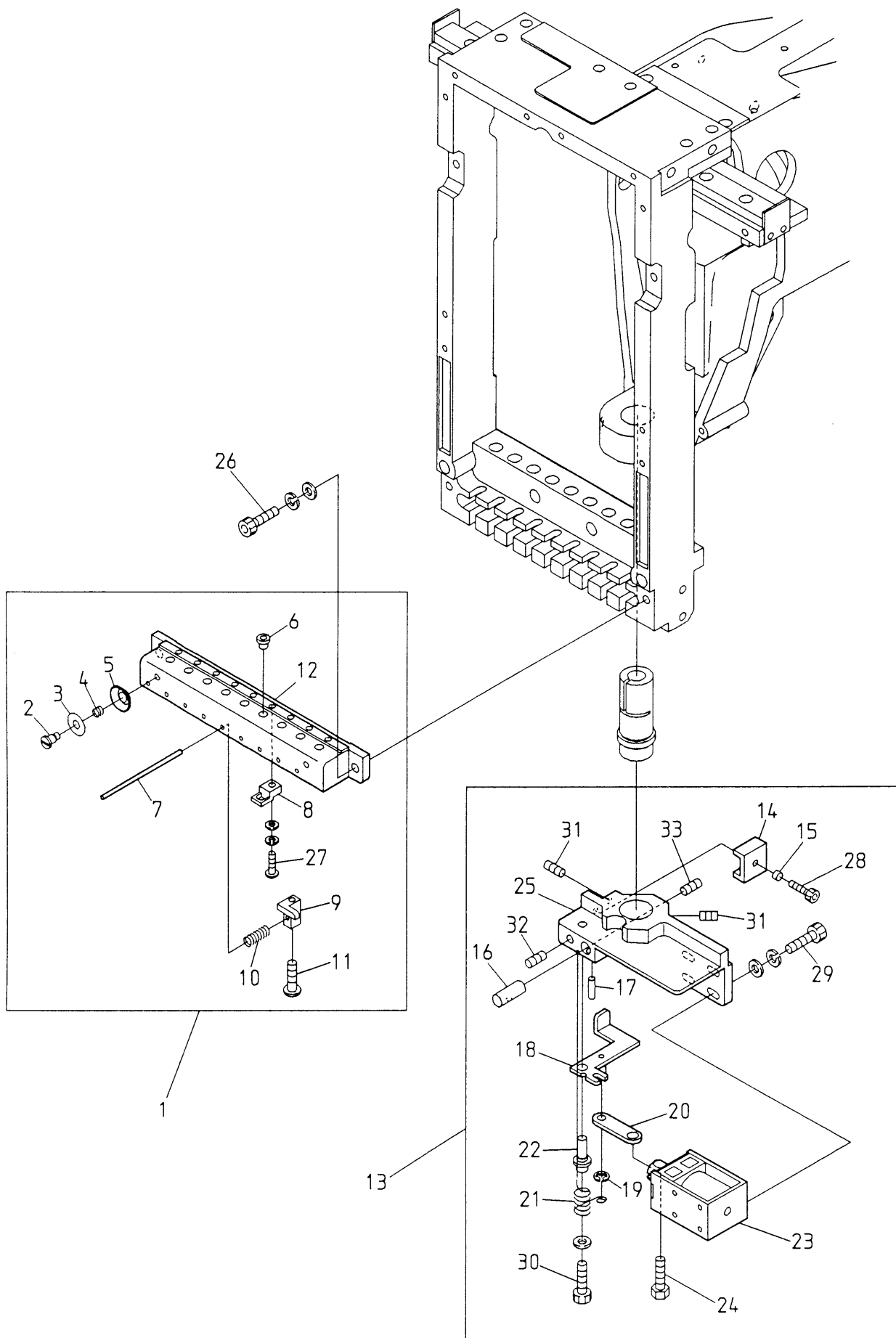
⑬ Automatic thread cutting mechanism II  
(Thread away section)



MODEL BEATME-<sup>902</sup><sub>904</sub><sup>906</sup><sub>908</sub>-ZN





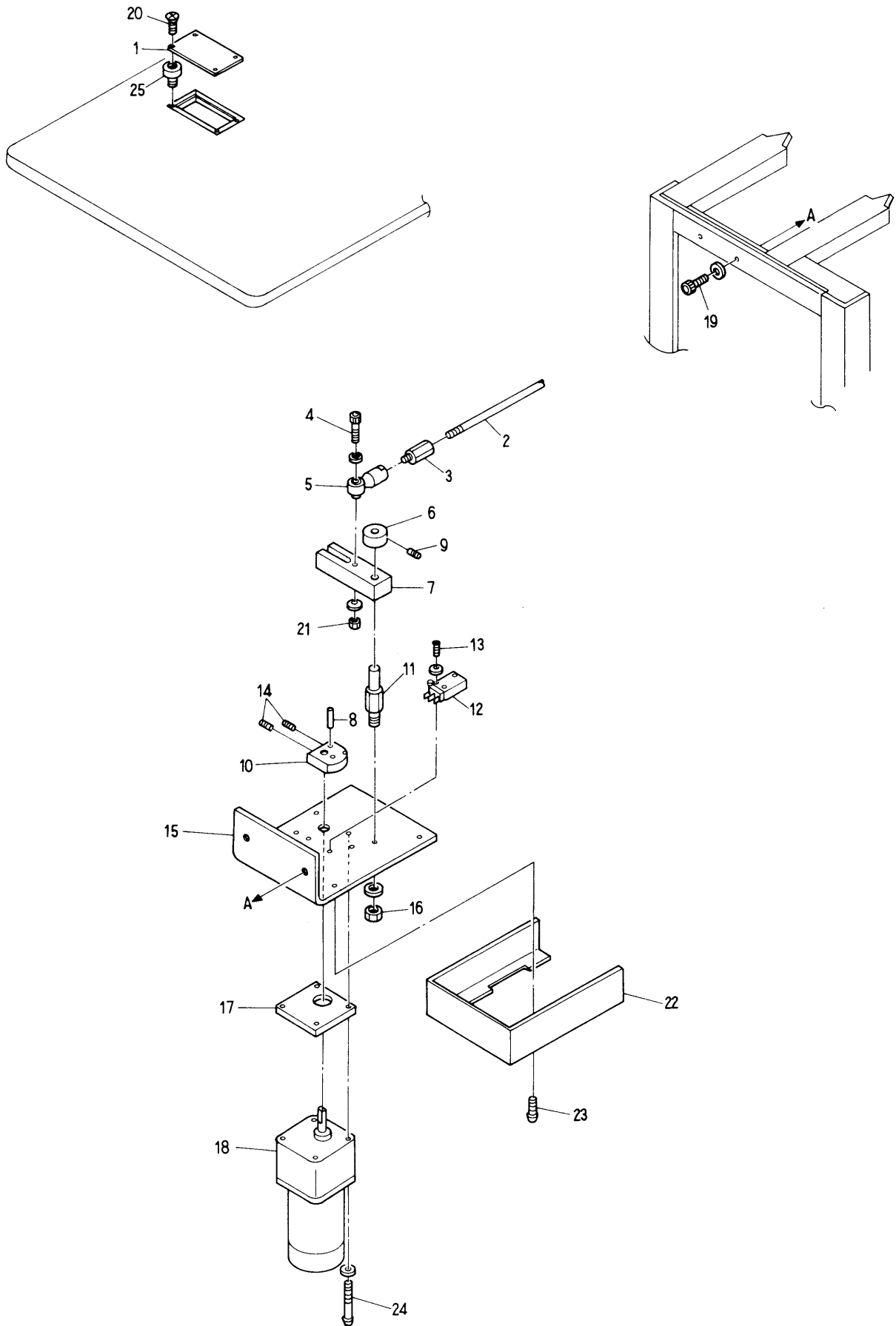


MODEL BEATME 802  
804  
806  
808 -ZN



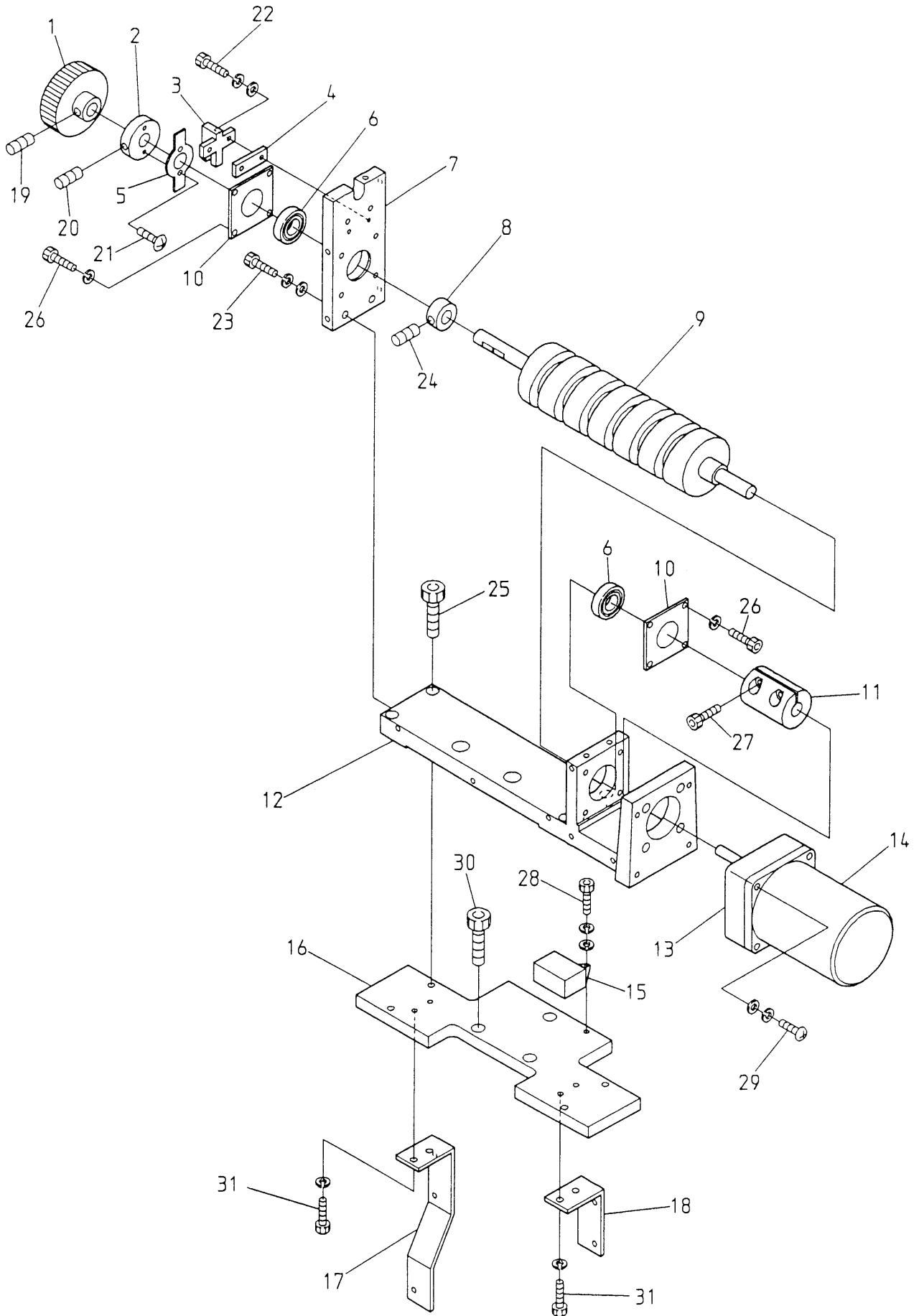
Barudan

⑮ Automatic thread cutting mechanism IV  
(Drive mechanism)

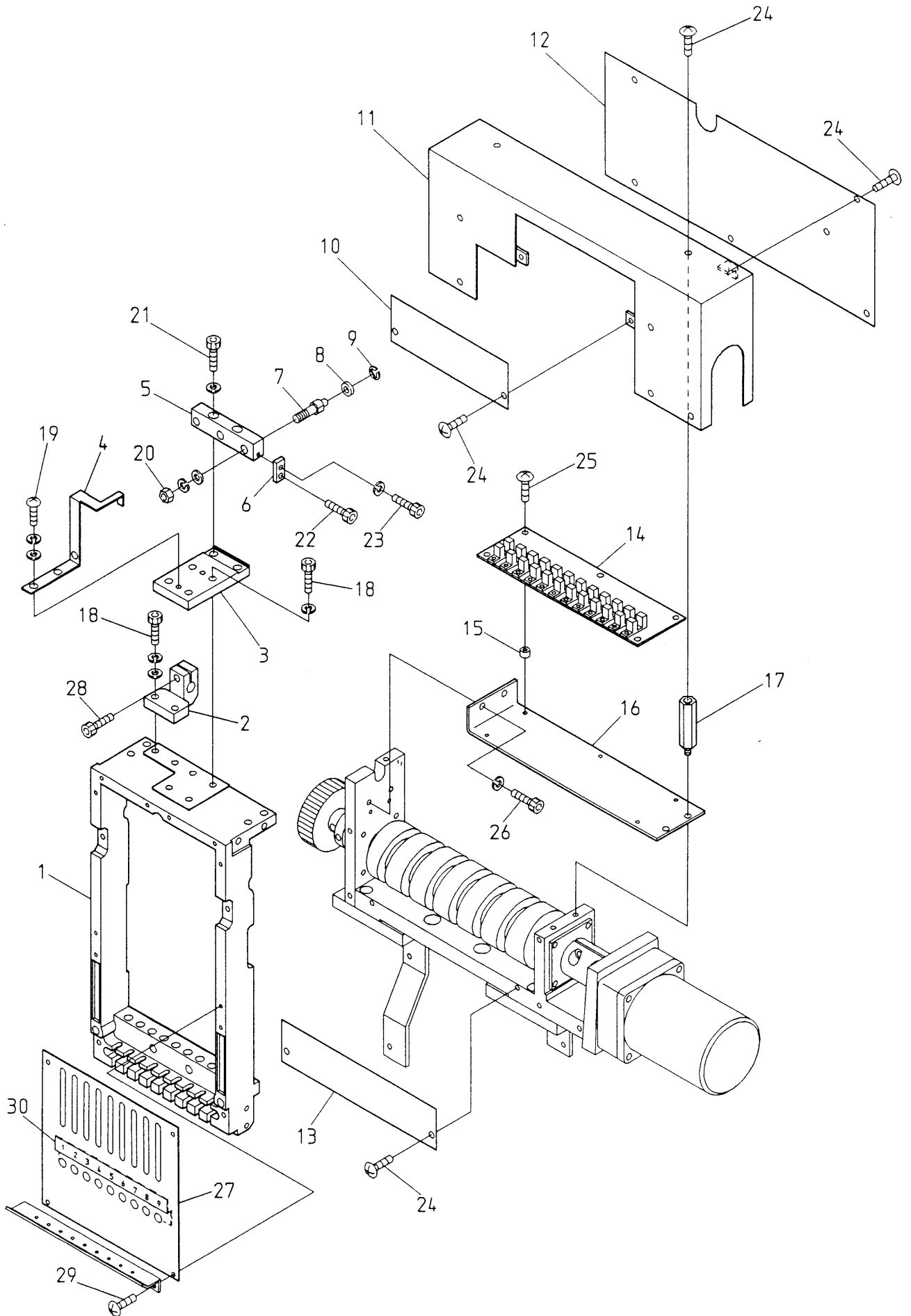


MODEL BEATME 902  
904  
906  
908 -ZN



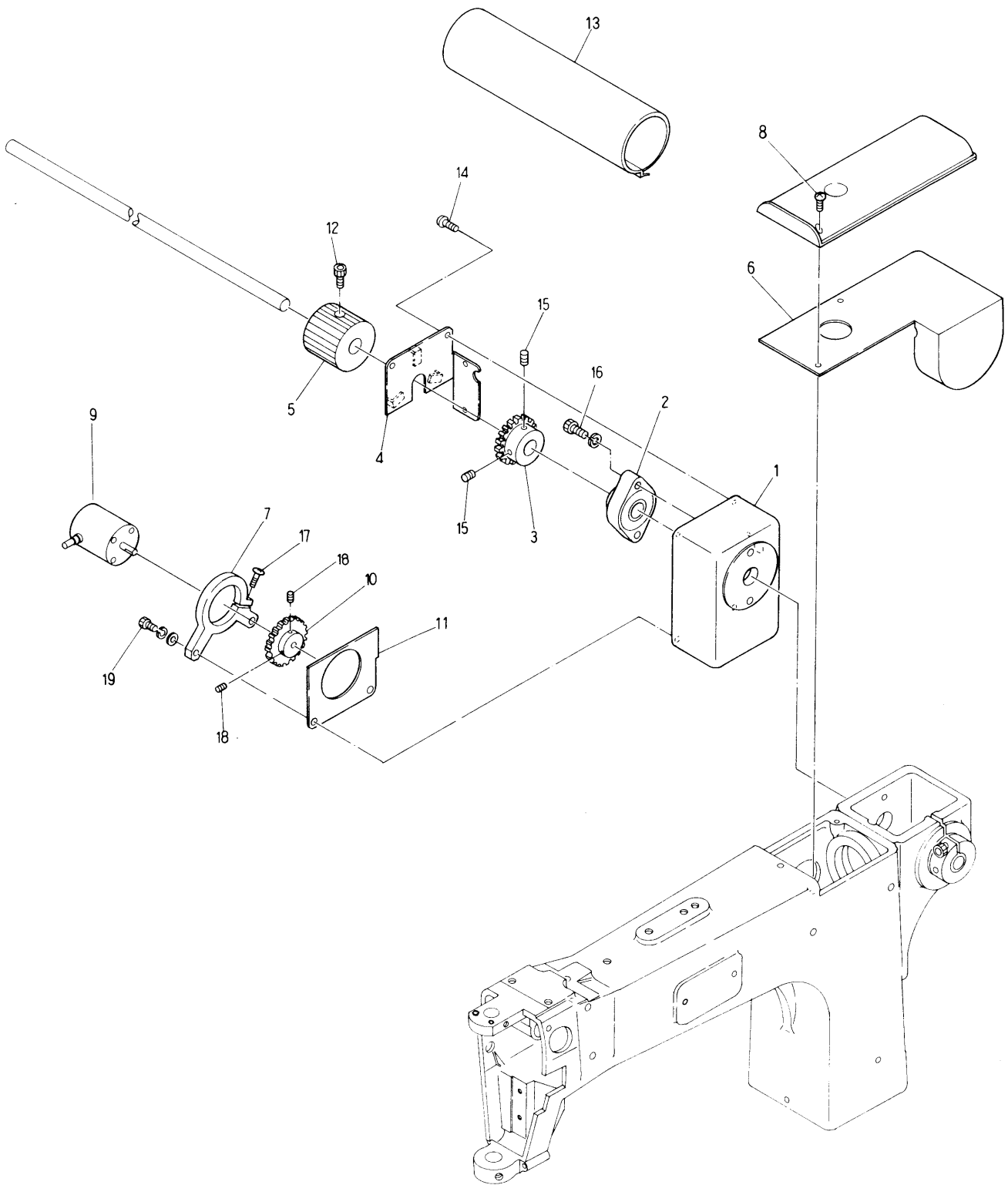




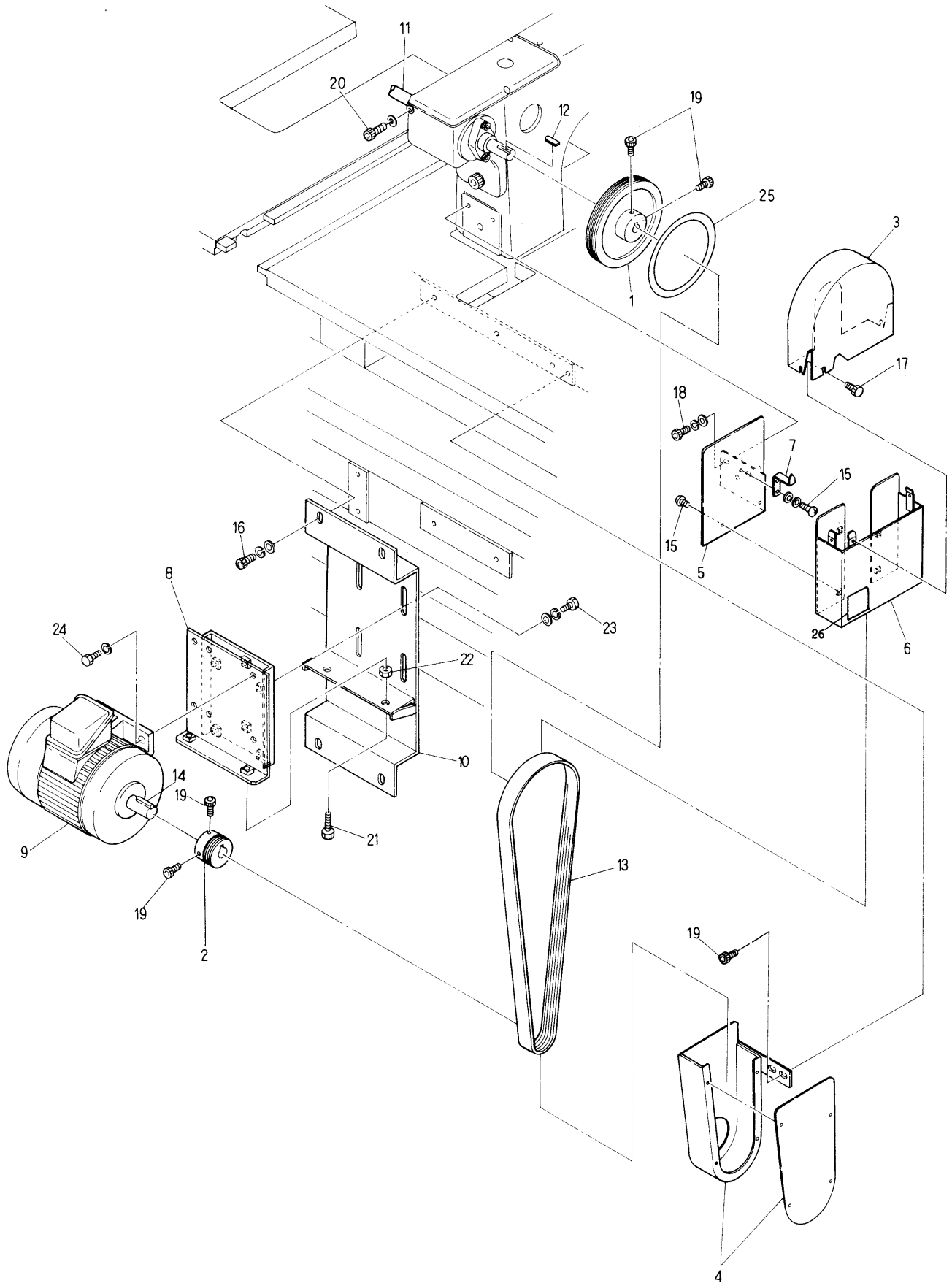








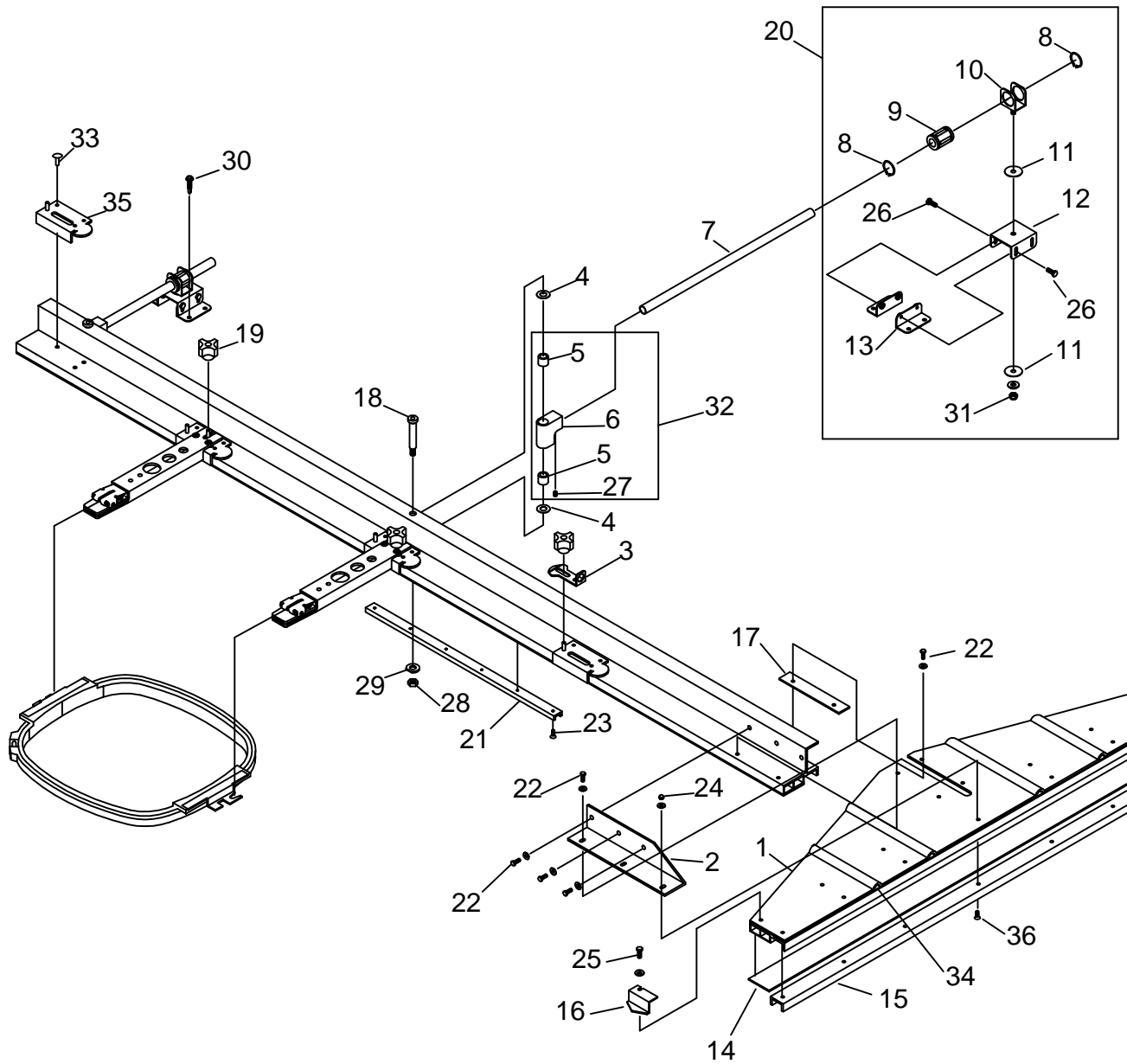




⑰ Drive mechanism

ITEM	LIST No.	DESCRIPTION	Q'TY	REMARK
1	KR310000	Driving pulley	1	
2	KN310010	Motor pulley $\phi 48.6$	1	
3	KV310040	Belt cover (Upper)	1	
4	KV310050	Belt cover (Motor)	1	
5	KV310110	Belt cover bracket	1	
6	KV310050	Belt cover (Lower)	1	
7	KV310090	Angle gauge	1	
8	KR310020	Motor fixing bracket	1	
9	KN315110	Motor (IK-FBK8-4P-0.55KW, VF3 200V)	1	
10	KV310070	Motor base	1	
11	KR320010	Driving shaft (BEATME-902, L=688)	1	
	KR320030	Driving shaft (BEATME-904, L=1728)	1	
	KR320001	Driving shaft (BEATME-906, L=2768)	1	
	KR320020	Driving shaft (BEATME-908, L=3808)	1	
12	KR310070	Key (5 $\times$ 5 $\times$ 35)	1	
13	A9020200	Belt (4PK-1240)	1	
14	KU315250	Key (6 $\times$ 6 $\times$ 32)	1	
15		Truss screw M4 $\times$ 8		
16		Hex. socket bolt M4 $\times$ 25		
17	A9012320	Thumb screw M4 $\times$ 8	3	
18		Hex. socket bolt M4 $\times$ 15		
19		Hex. socket bolt M6 $\times$ 15		Key side
		Hex. socket bolt M6 $\times$ 18		
20		Hex. socket bolt M6 $\times$ 60		
21		Hex. bolt M8 $\times$ 60		
22		Hex. nut M8		
23		Hex. bolt M8 $\times$ 20		
24		Hex. bolt M8 $\times$ 25		
25	HP313690	Angle label (B)	1	
26	KX790010	Lubrication label	H $\times$ 1	

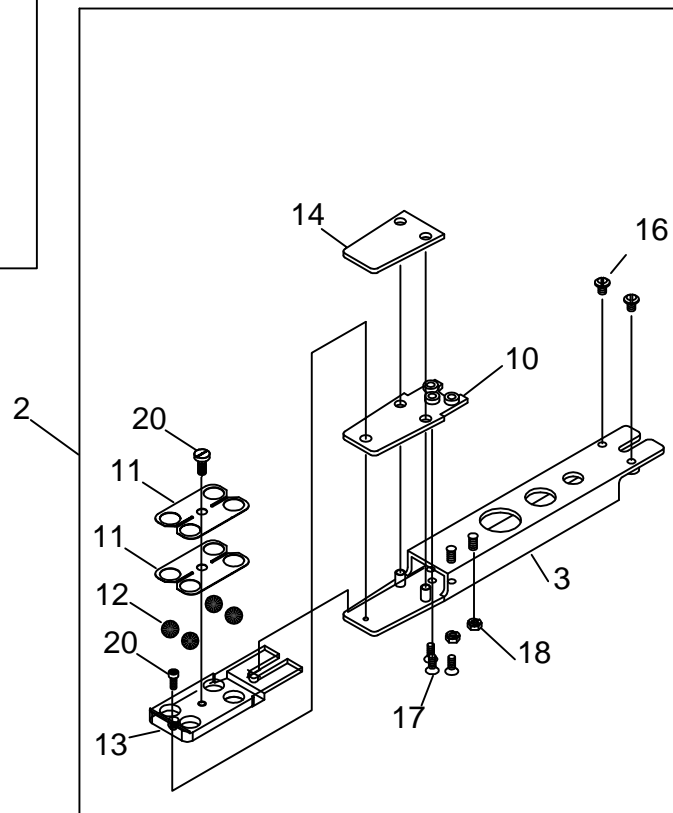
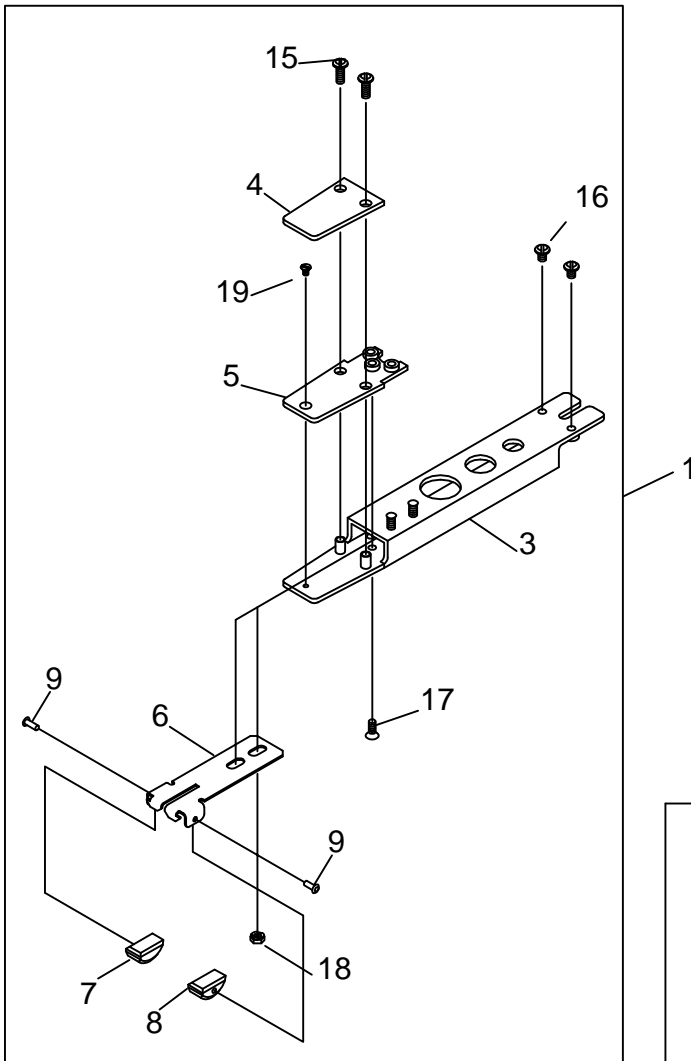
# American Pantograph Addendum



(For 2, 4, and 6 head U.S. built machines)



# American Pantograph Addendum



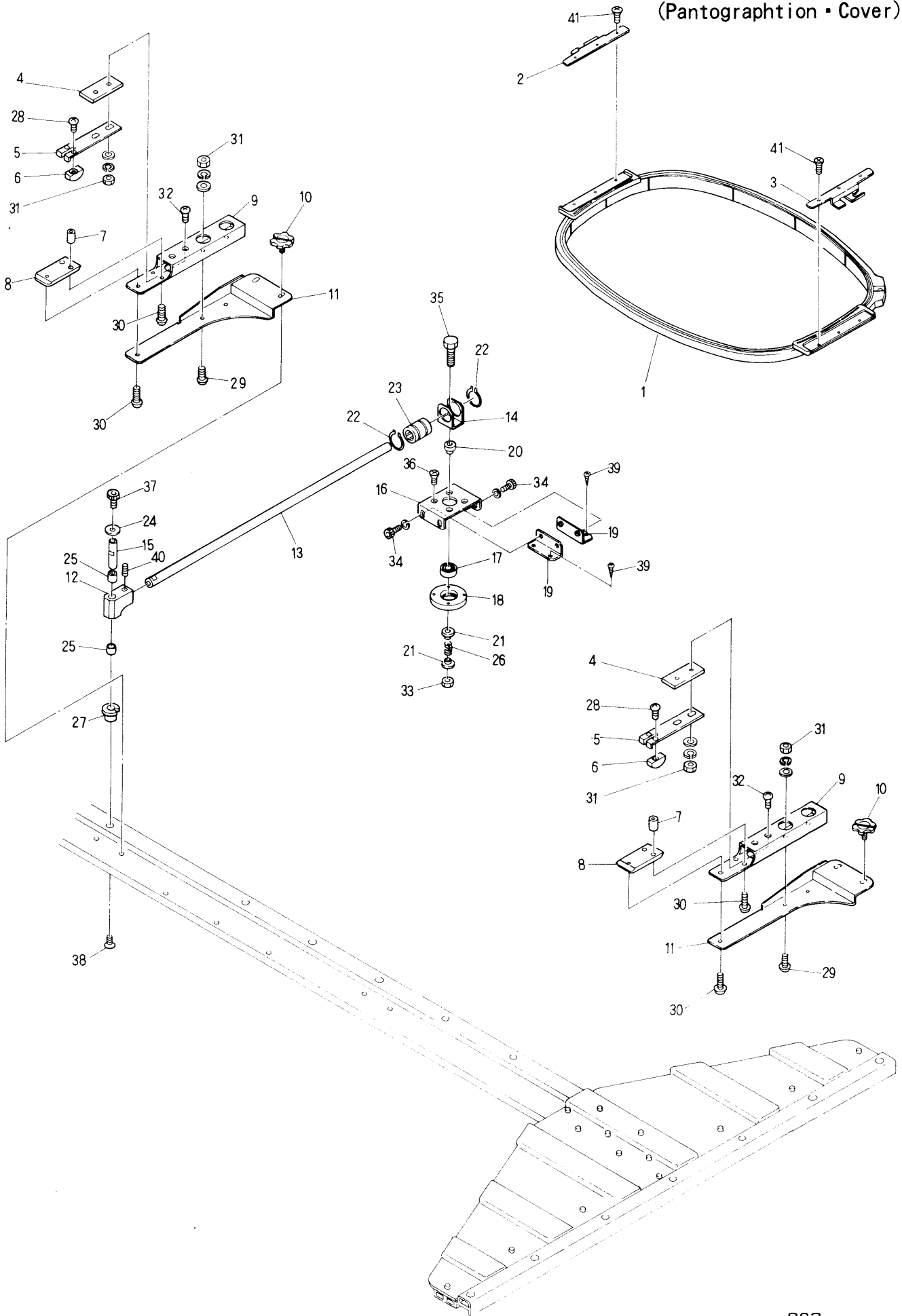
(For 2, 4, and 6 head U.S. built machines)





Barudan

②⑩ Pantograph drive mechanism I  
(Pantographion • Cover)

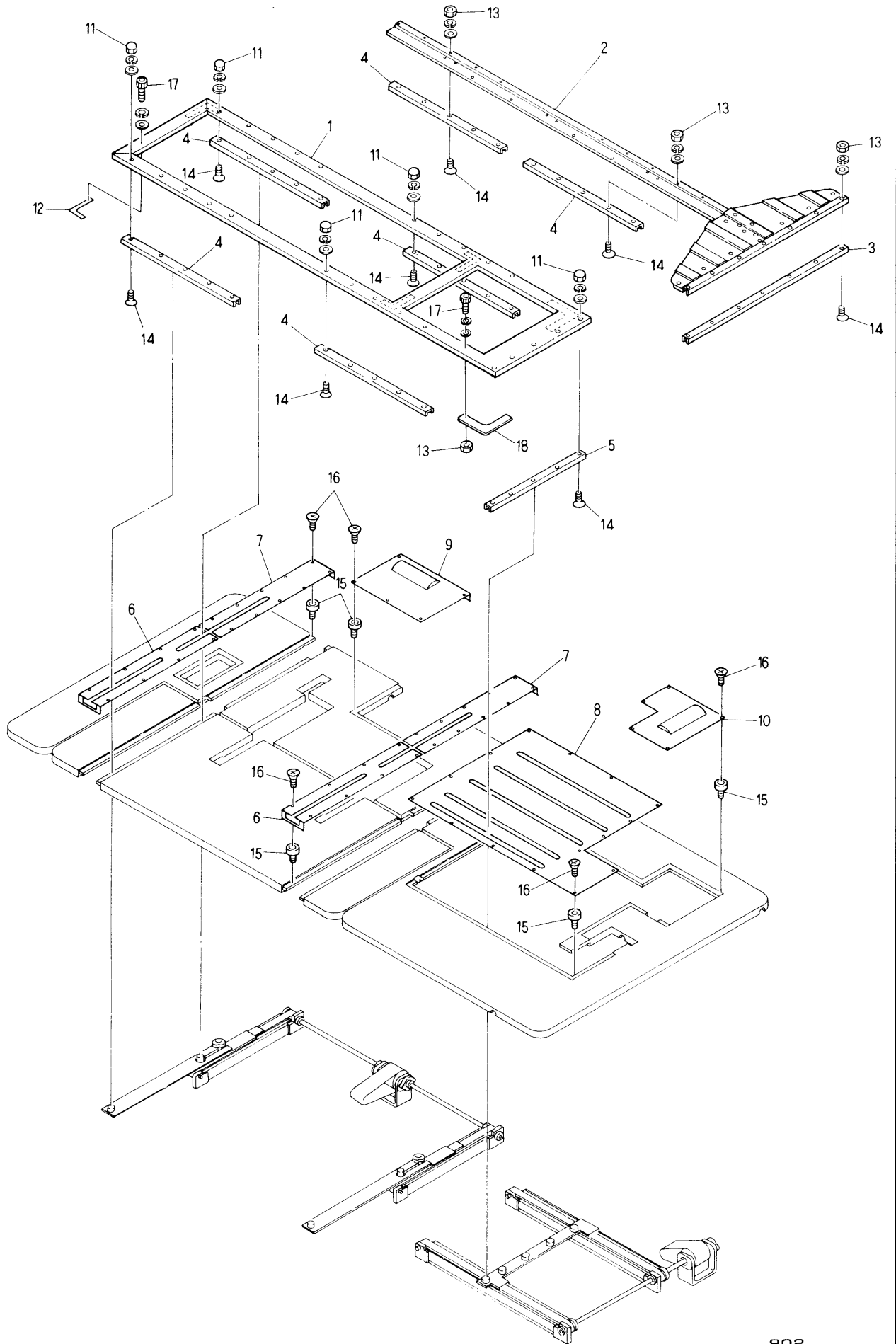


② Pantograph drive mechanism I (Pantograph · Cover)

ITEM	LIST No	DESCRIPTION	Q'TY	REMARK
1	FR92300290A	Square pantograph 320×290	2	904...4 906...6 908...8
2	FR600528	Metal for square wood frame (No.1) R	2	904...4 906...6 908...8
3	FR600529	Metal for square wood frame (No.1) L	2	904...4 906...6 908...8
4	HS460200	Fixing spacer	3	904...5 906...7 908...9
5	HS460030	Frame fixing spring No.2	3	904...5 906...7 908...9
6	HS460050	Frame fixing block	6	904...10 906...14 908...18
7	HS460210	Frame fixing the position pin	6	904...10 906...14 908...18
8	KK460130	Frame slide plate	3	904...5 906...7 908...9
9	KK460050	Fixing base	3	904...5 906...7 908...9
10	HS730000	Knurling screw for pantograph	6	904...10 906...14 908...18
11	KK460061	Fixing stay	3	904...5 906...7 908...9
12	KK460070	Rotation block	2	904...3 906...4 908...5
13	KK460090	Pantograph set driving shaft	2	904...3 906...4 908...5
14	KK460040	Bush fixing bracket	2	904...3 906...4 908...5
15	KK460080	Rotation shaft B	2	904...3 906...4 908...5
16	KK460010	Pantograph set base (Upper)	2	904...3 906...4 908...5
17	A9010036	Bearing (6900ZZ)	2	904...3 906...4 908...5
18	KK460031	Bearing set plate	2	904...3 906...4 908...5
19	KK460000	Pantograph set base (Lower)	4	904...6 906...8 908...10
20	KK460020	Rotation shaft A	2	904...3 906...4 908...5
21	KK460120	Spring set plate	4	904...6 906...8 908...10
22	A9012064	C-Ring (For shaft)21	4	904...6 906...8 908...10
23	A9011131	Slide bush SMI2GUU	2	904...3 906...4 908...5
24	A9012164	Thrust washer R-TW0815	2	904...3 906...4 908...5
25	A9011132	DU Bush MB0805	4	904...6 906...8 908...10
26	KK460140	Pantograph set base	4	904...3 906...4 908...5
27	A9012264	DU Bush (MB0808-15FPU)	2	904...3 906...4 908...5
28		Truss screw M3×3		
29		Truss screw M3×7		
30		Truss screw M3×5		
31		Hex. nut M3		
32		Truss screw M3×10		
33		U Nut M5		
34		Hex. socket bolt M5×10		
35		Hex. bolt M5×25		
36		Flush screw M4×10		
37		Hex. socket bolt M4×8		
38		Flush screw M4×12		
39		Bind tapping screw M4.5×24		
40		Hex. socket set screw M6×8		
41		Flush screw M3×6		

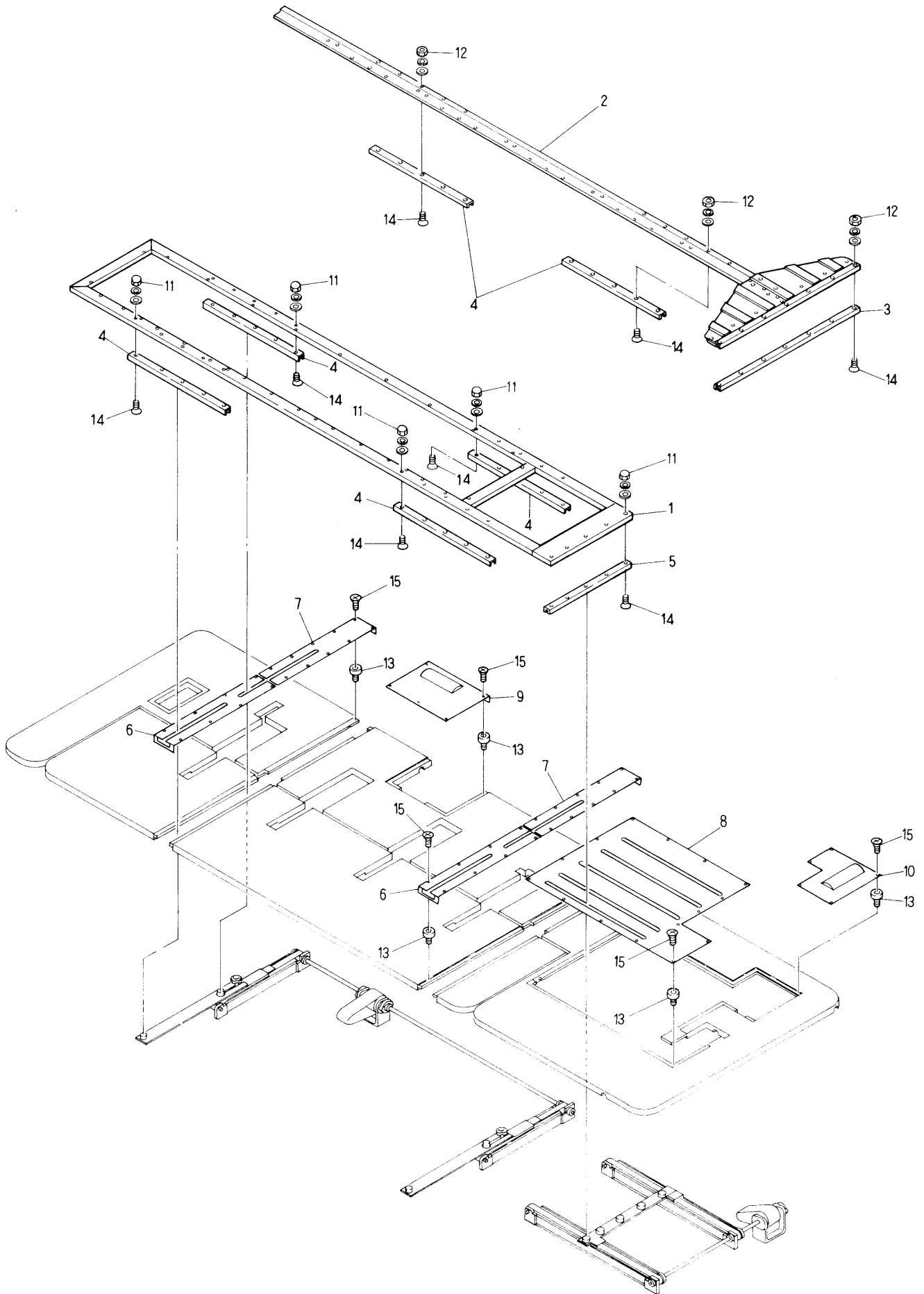
Barudan

㉑ Pantograph drive mechanism II  
(T-Pantograph relation) <902>

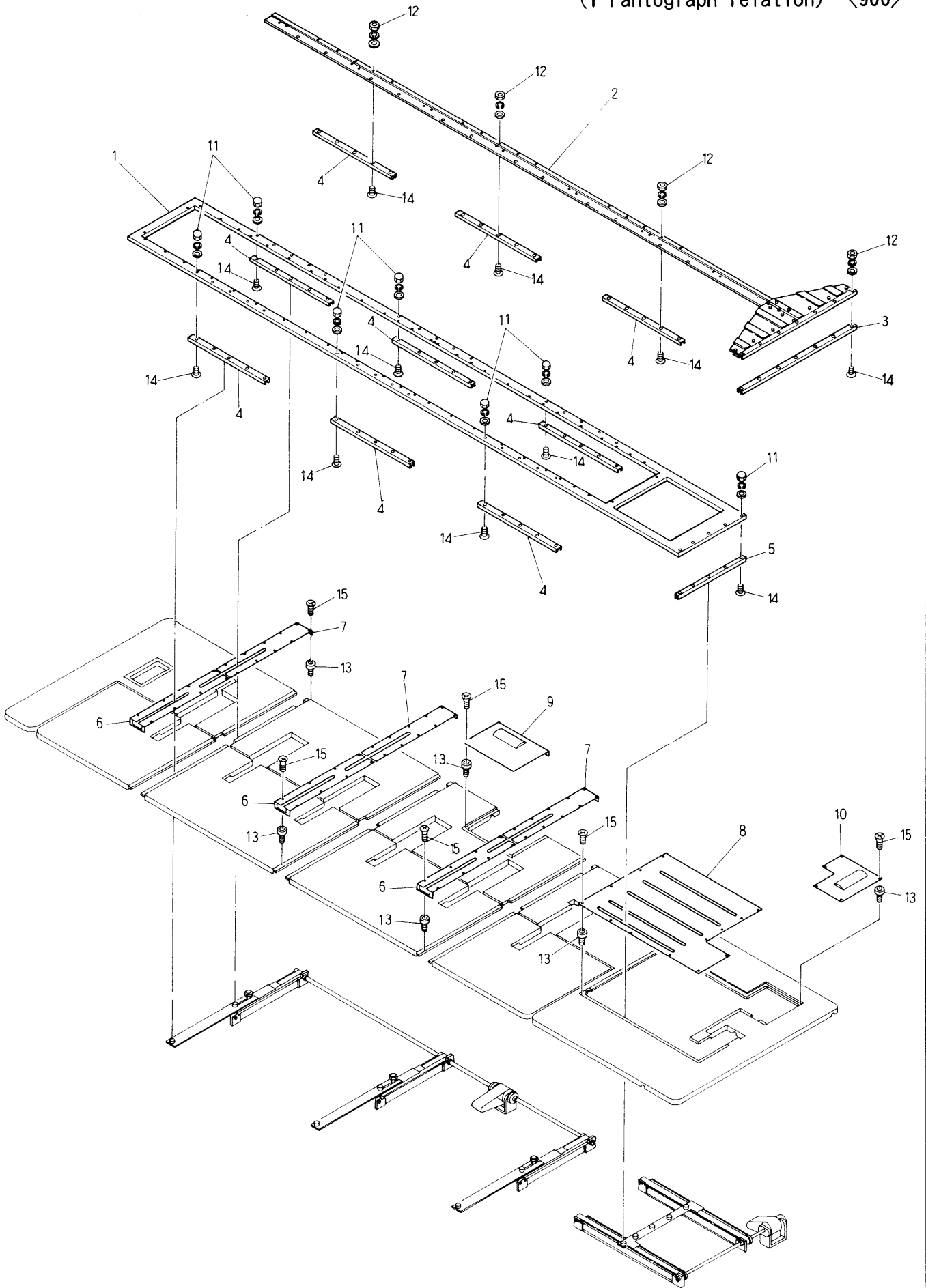


MODEL BEATME-ZN  
902  
904  
906  
908



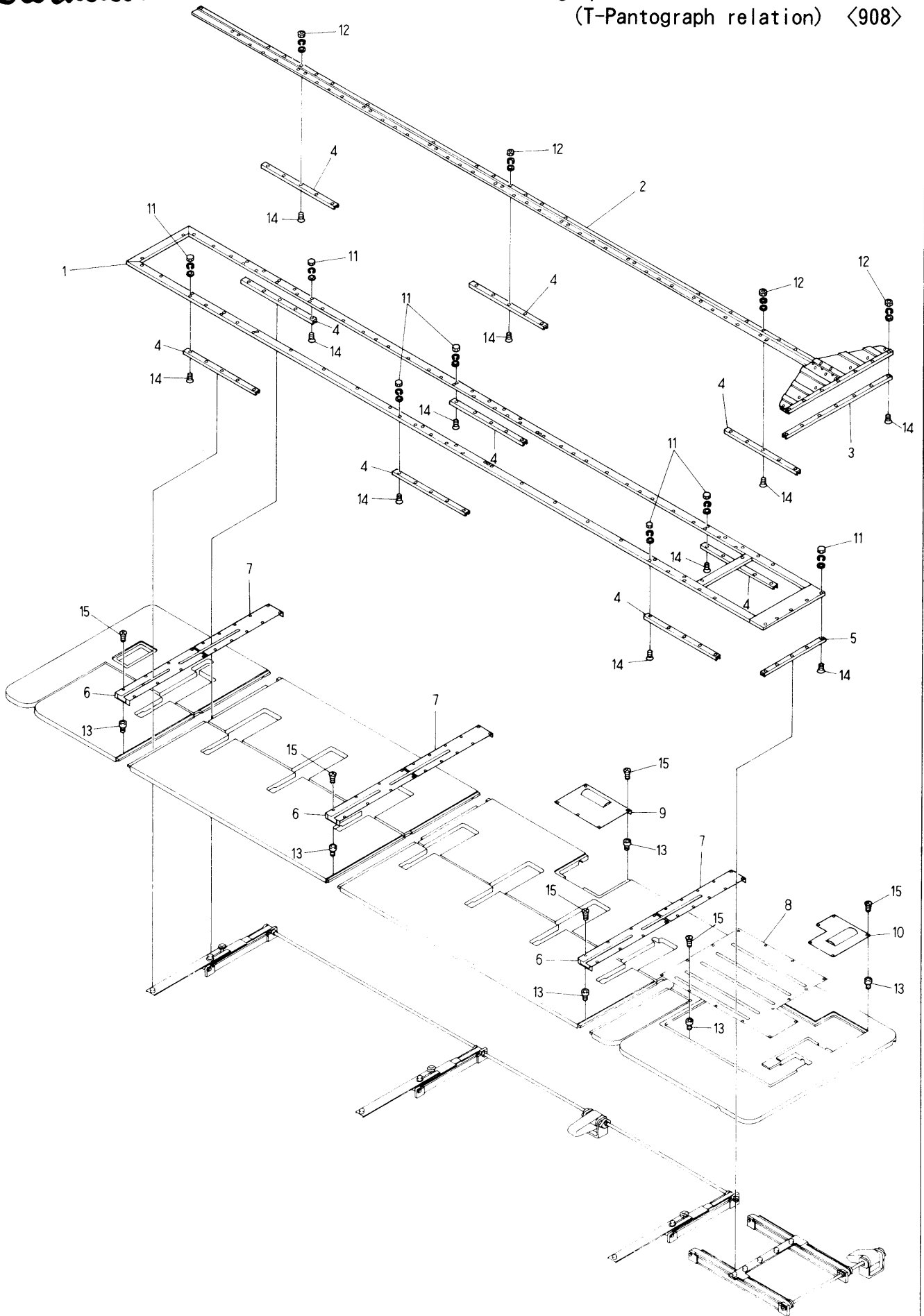




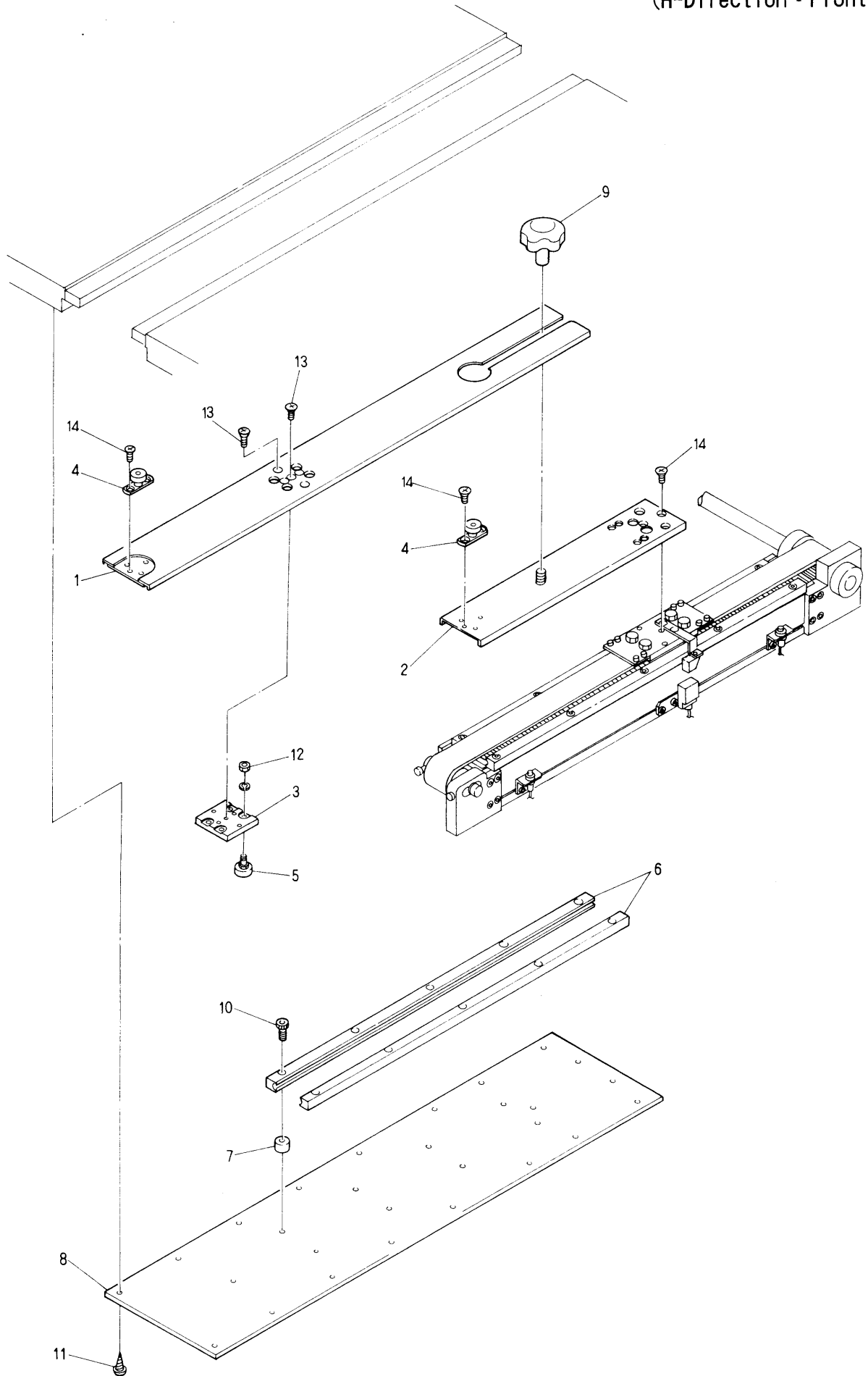




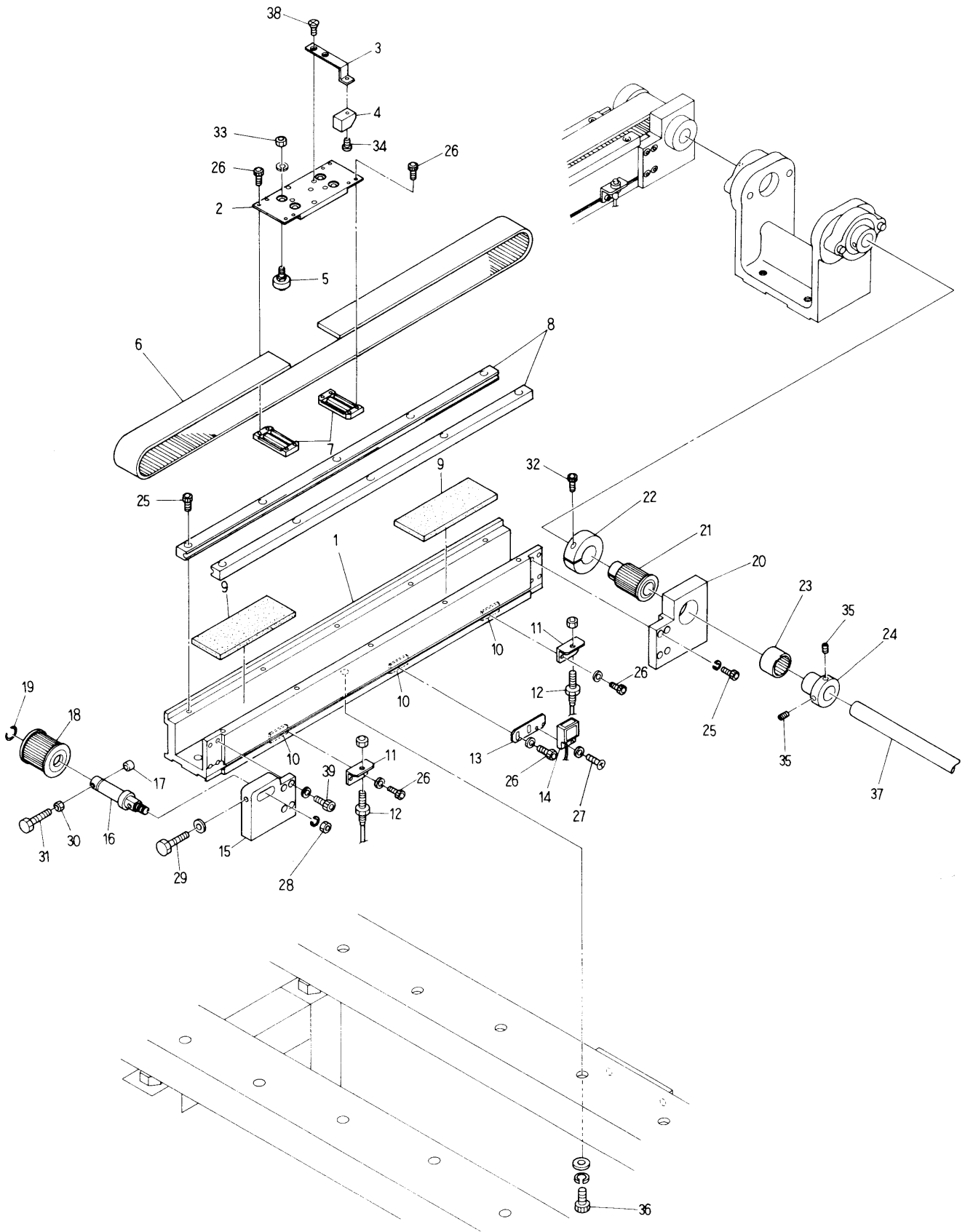












MODEL BEATME 9002  
9004  
9006  
9008 -ZN

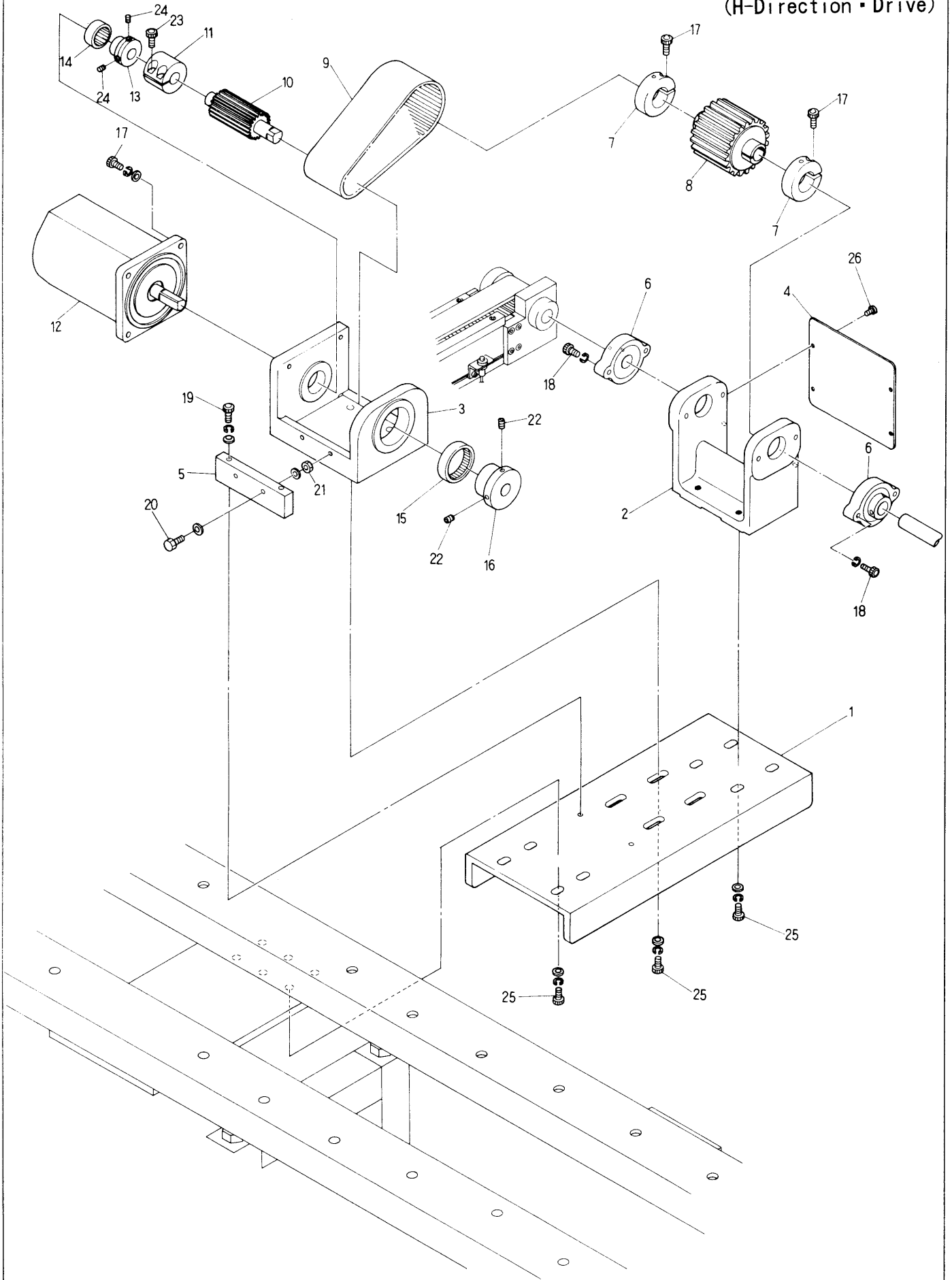
②③ Pantograph drive mechanismIV(H-Direction · Rear)

(R=H-Rail Q'TY)

ITEM	LIST No.	DESCRIPTION	Q'TY	REMARK
1	KR480260	H-Guide rail base (Stroke 320)	R×1	
2	KR480240	H-Roller base (Rear)	R×1	
3	KR480160	H-Pantograph origin point magnet bracket	1	
4	A9052030	Magnet (M-102-02)	1	
5	HP482950	Roller pin assy A	R×4	
6	KR480290	Timing belt T10-30-104	R×1	
7	KR480030	Timing belt set rack	R×2	
8	KK480140	V-Guide rail	R×2	
9	KN480061	Rail base felt (100×38×6)	R×2	
10	KU460270	Plate nut M3	3	
11	MT460240	RS-001 Bracket (V)	2	
12	A9052024	Switch RS-001	2	
13	KN450300	MH-601A Proximity switch fixing bracket	1	
14	A9052031	Magnet proximity switch (MH-601A)	1	
15	KR480060	H·V-Guide front pulley bracket	R×1	
16	HH481991	Timing pulley shaft	R×1	
17	HH482110	Pulley shaft bolt cap	R×1	
18	KR480001	Pantograph driving pulley (Front)	R×1	
19	A9012052	E-Ring φ10	R×1	
20	KR480050	H·V-Guide rear pulley bracket	R×1	
21	KR480011	Pantograph driving pulley (Rear)	R×1	
22	HH481980	Clamping φ19	R×1	
23	A9011110	Needle bearing (HK20166)	R×1	
24	HH481970	Pulse motor connecting shaft collar	R×1	
25		Hex. socket bolt M4×15		
26		Hex. socket bolt M3×6		
27		Truss screw M3×10		
28		Hex. nut M8		
29		Hex. bolt M4×25		
30		Hex. nut M4		
31		Hex. bolt M4×35		
32		Hex. socket bolt M5×18		
33		Hex. nut M5		
34		Truss screw M3×6		
35		Hex. socket set screw M5×8		
36		Hex. socket bolt M8×22 (With plain washer spring washer)		
37	KR470010	H-Pulse motor connecting shaft (BEATME-902 L=1114)	1	
	KR470030	H-Pulse motor connecting shaft (BEATME-904 L=1633)	1	
	KR470000	H-Pulse motor connecting shaft (BEATME-906 L=2153)	1	
	KR470020	H-Pulse motor connecting shaft (BEATME-908 L=3193)	1	
38		Truss screw M4×8		
39		Hex. socket bolt M4×18		

Barudan

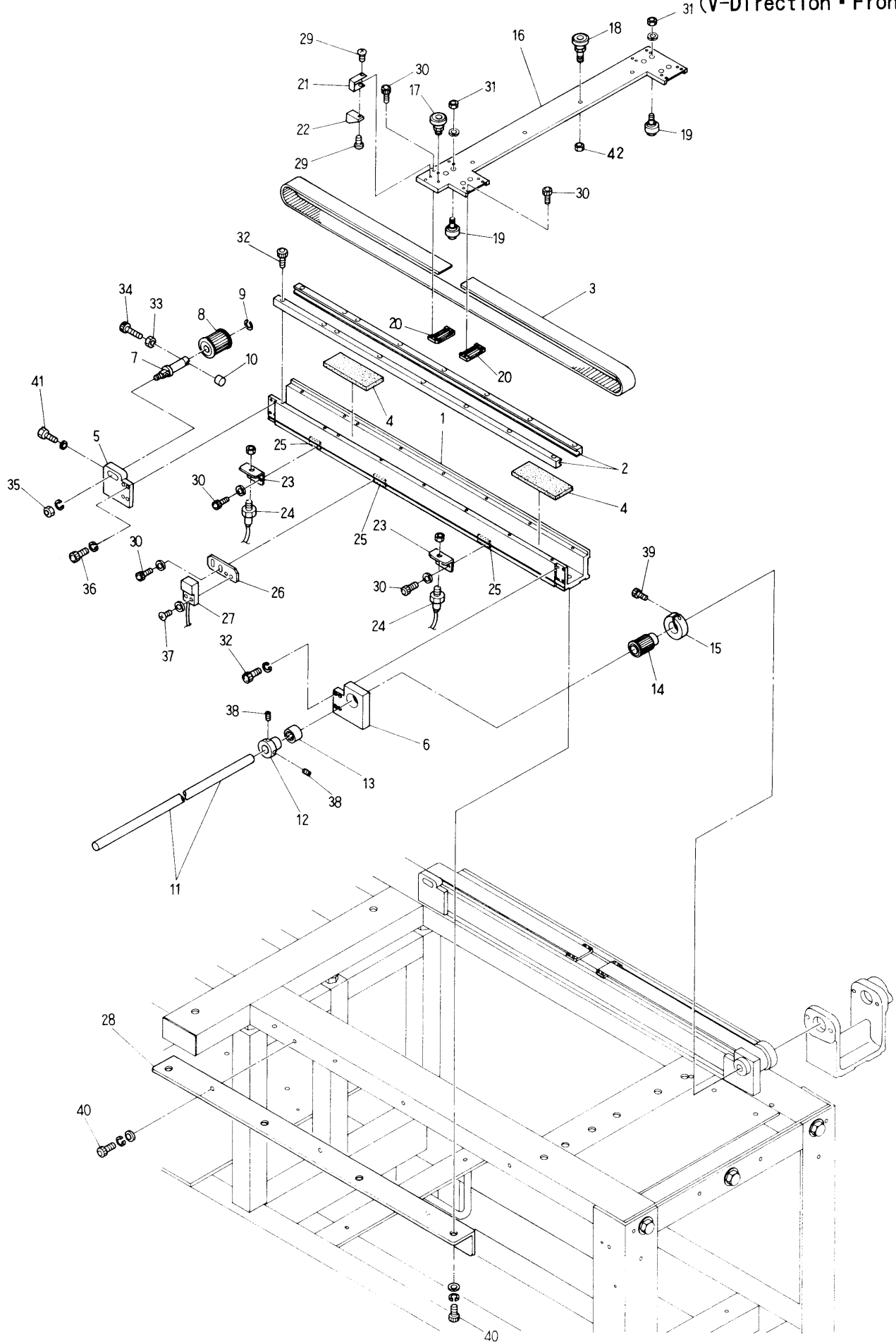
②④ Pantograph drive mechanism V  
(H-Direction Drive)



MODEL BEATME 9902  
9904  
9906  
9908 -ZN





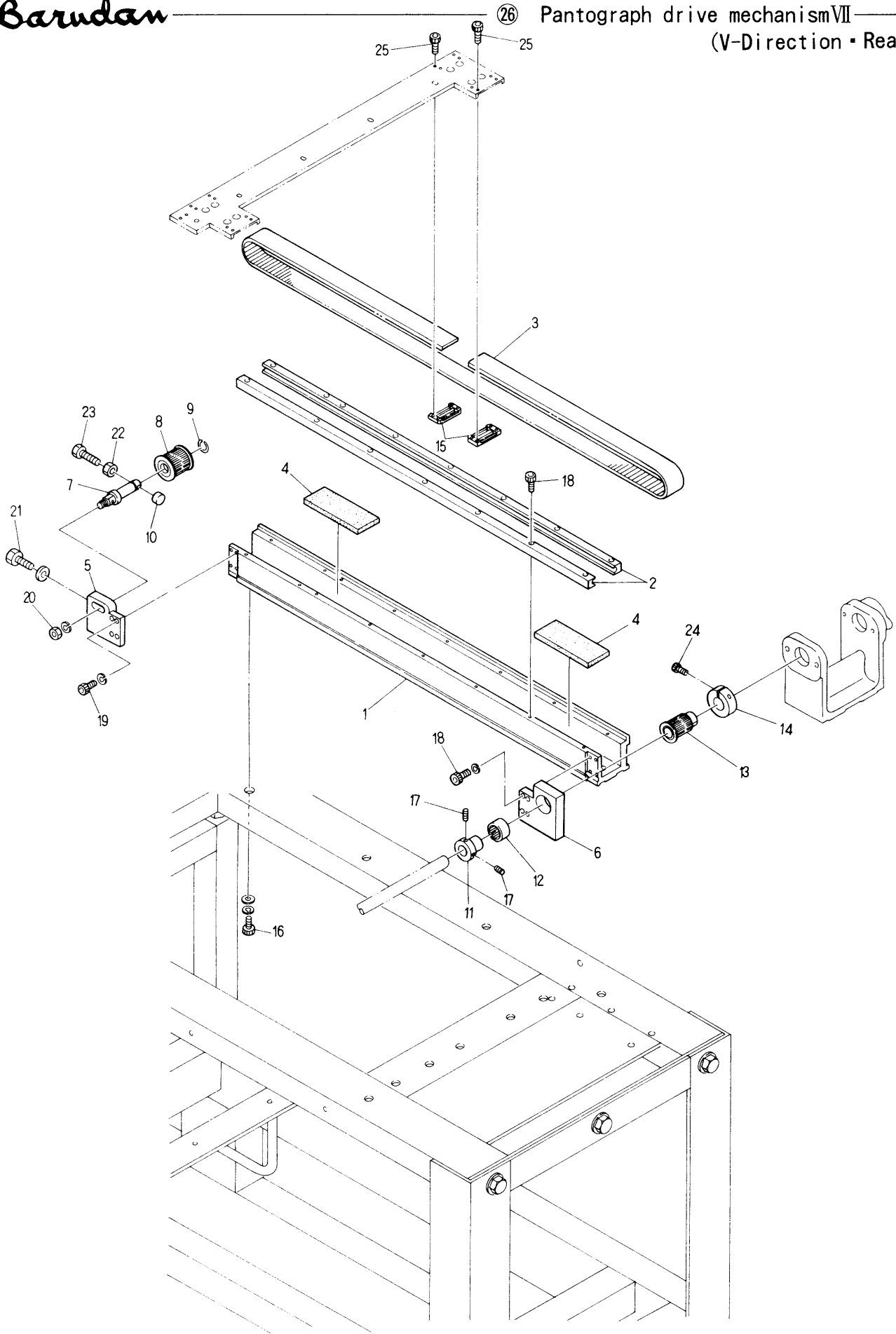


㊦ Pantograph drive mechanismVI(V-Direction・Front)

ITEM	LIST No.	DESCRIPTION	Q'TY	REMARK
1	KR480210	V-Guide rail base	1	
2	KN483450	V-Guide rail (L=660)	2	
3	KR480280	Timing belt (T10-30-153)	1	
4	KN480061	Rail base felt (100×38×6)	2	
5	KR480060	H・V-Guide front pulley bracket	1	
6	KR480050	H・V-Guide front pulley bracket	1	
7	HH481991	Timing pulley shaft	1	
8	KR480000	Pantograph driving pulley (Front)	1	
9	A9012052	E-Ring $\phi 10$	1	
10	HH482110	Pulley shaft bolt cap	1	
11	KR490000	V-Pulse motor shaft	1	
12	HH481970	Pulse motor connecting shaft collar	1	
13	A9011110	Needle bearing (HK2016)	1	
14	KR480011	Pantograph driving pulley (Rear)	1	
15	HH481980	$\phi 19$ Clamping	1	
16	KR480220	V-Roller base	1	
17	HP483370	Guide rail bearing pin a'ssy	1	
18	HP483111	Guide rail bearing pin a'ssy B	4	
19	HP482950	Roller pin a'ssy A	8	
20	KR480030	Timing belt set rack	2	
21	KN450311	V-Pantograph origin point magnet bracket	1	
22	A9052030	Magnet M-102A-02	1	
23	MT460240	RS-001 Bracket (V側)	2	
24	A9052024	Switch RS-001	2	
25	KU460270	Plate nut M3	3	
26	KN450300	MH-601A Proximity switch fixing bracket	1	
27	A9052031	Magnet proximity switch (MH-601A)	1	
28	KR480070	V-Guide rail base bracket	1	
29		Truss screw M3×6		
30		Hex. socket bolt M3×6		
31		Hex. nut M5		
32		Hex. socket bolt M4×15		
33		Hex. nut M4		
34		Hex. socket bolt M4×15		
35		Hex. nut M4		
36		Hex. bolt M4×35		
37		Hex. nut M8		
38		Hex. socket bolt M4×18		
39		Truss screw M3×10		
40		Hex. socket set screw M5×8		
41		Hex. socket bolt M5×18		
42		Hex. socket bolt M8×20		
43		Hex. bolt M4×25		
44		Hex. nut M6		

Barudan

②⑥ Pantograph drive mechanism VII  
(V-Direction - Rear)

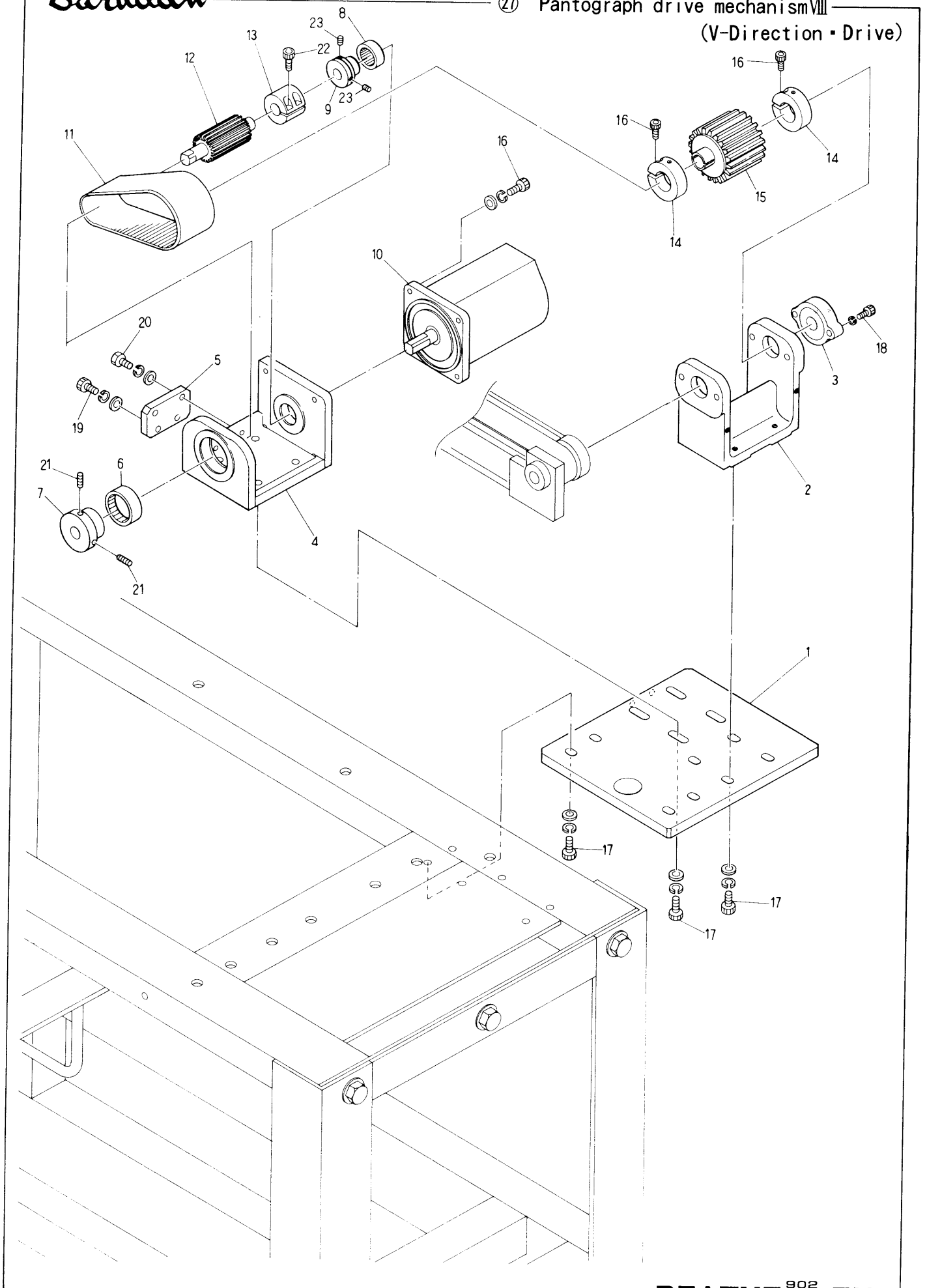


MODEL BEATME 802  
804  
806  
808 -ZN

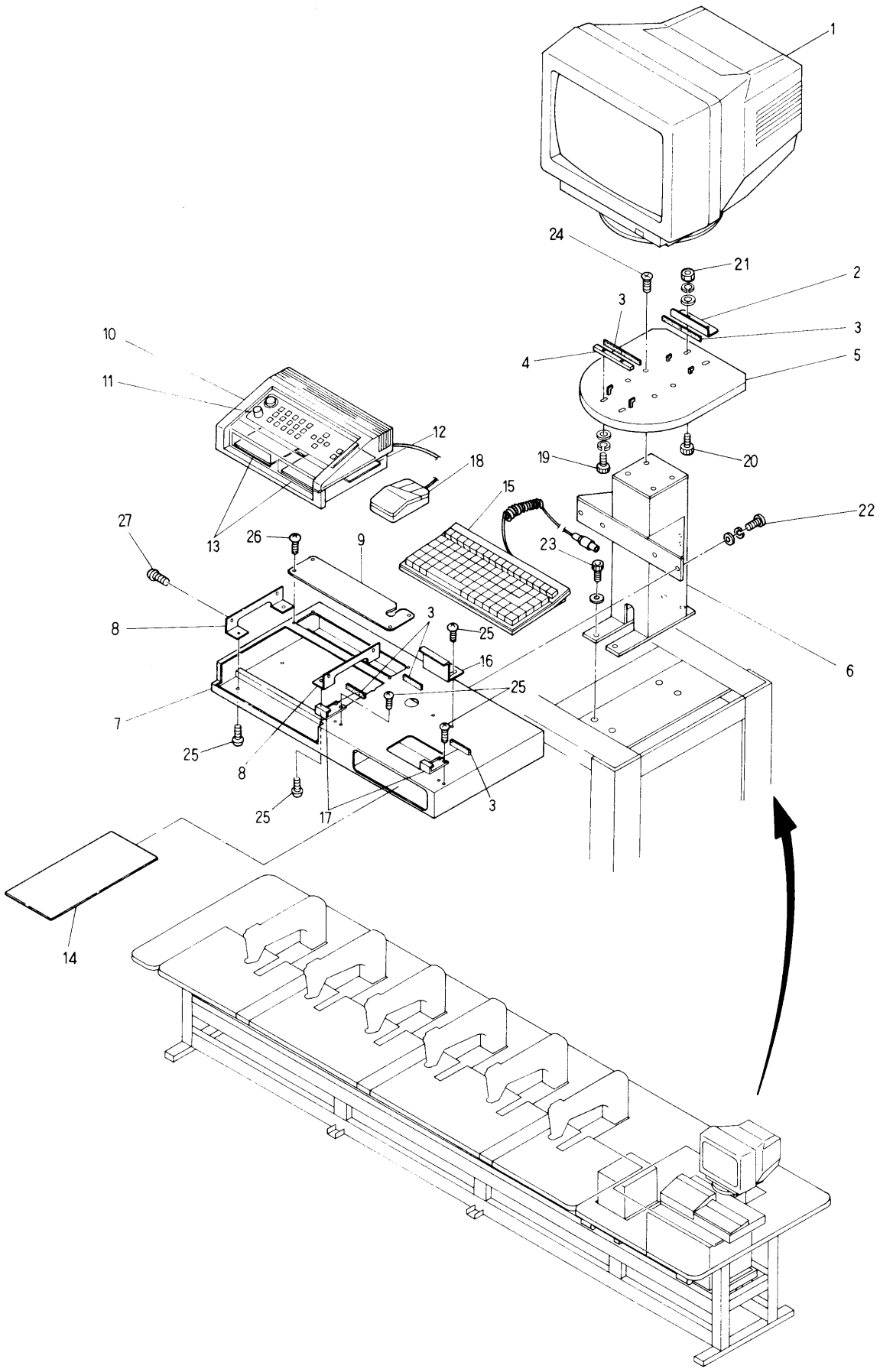


Barudan

②⑦ Pantograph drive mechanism VIII  
(V-Direction Drive)

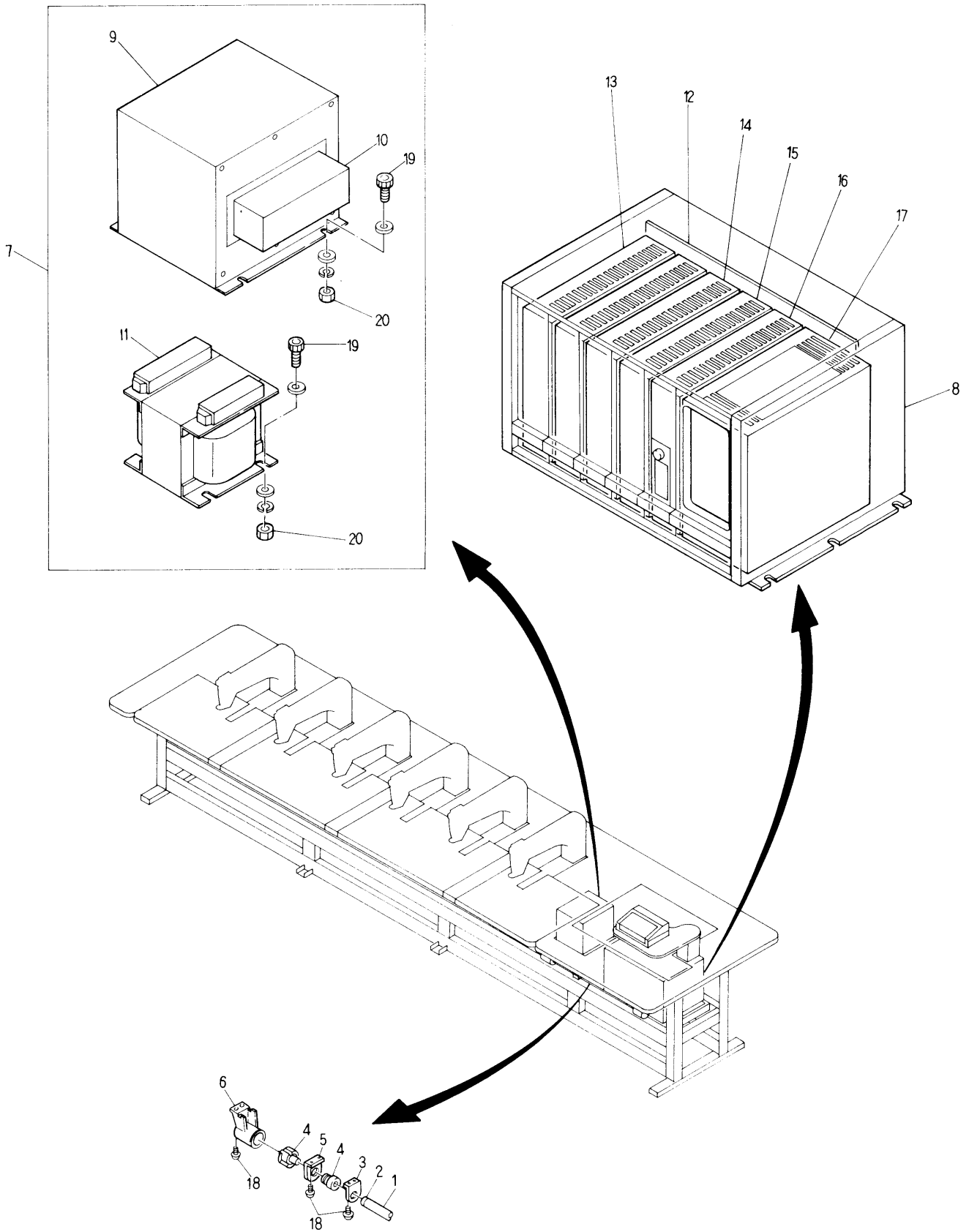




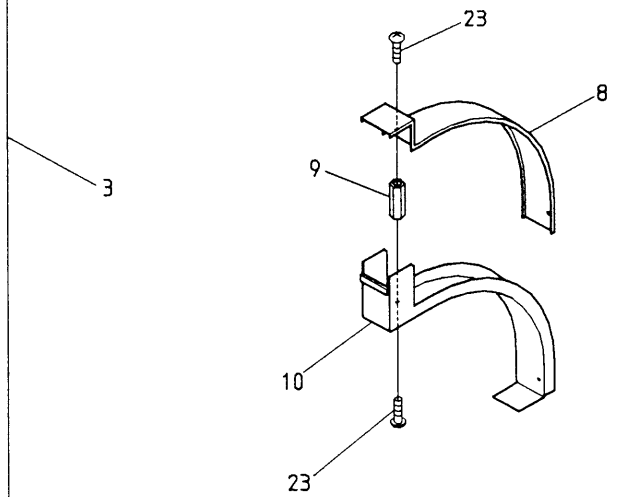
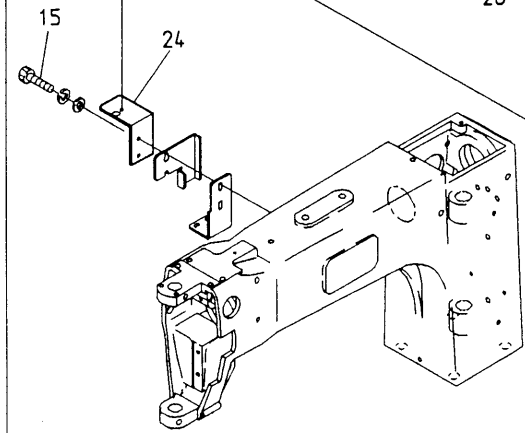
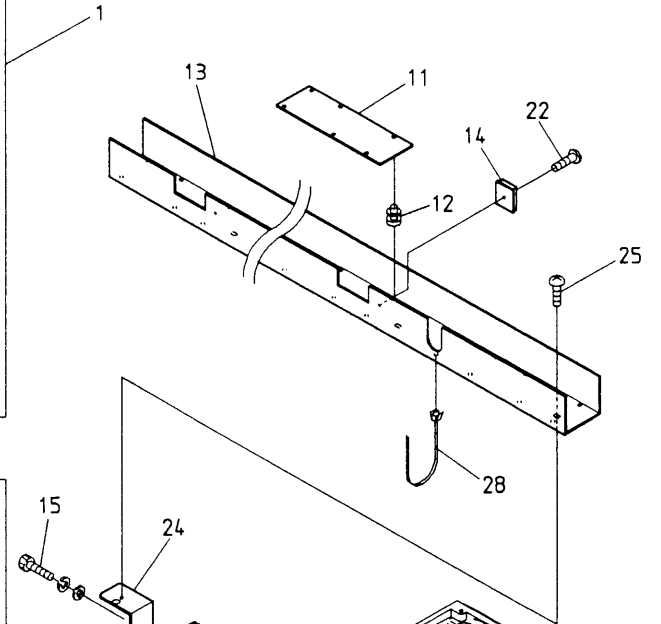
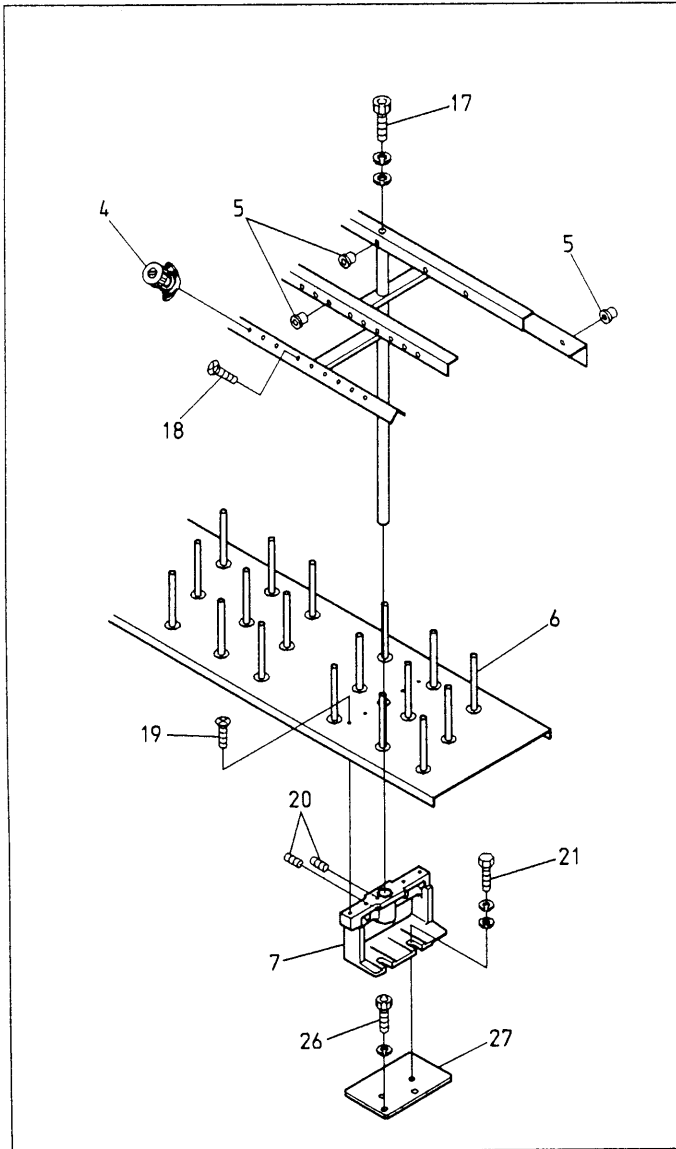
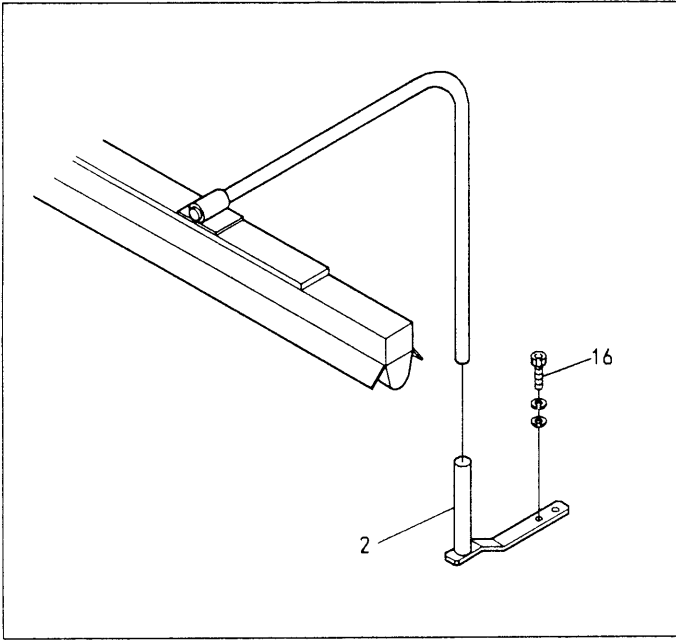








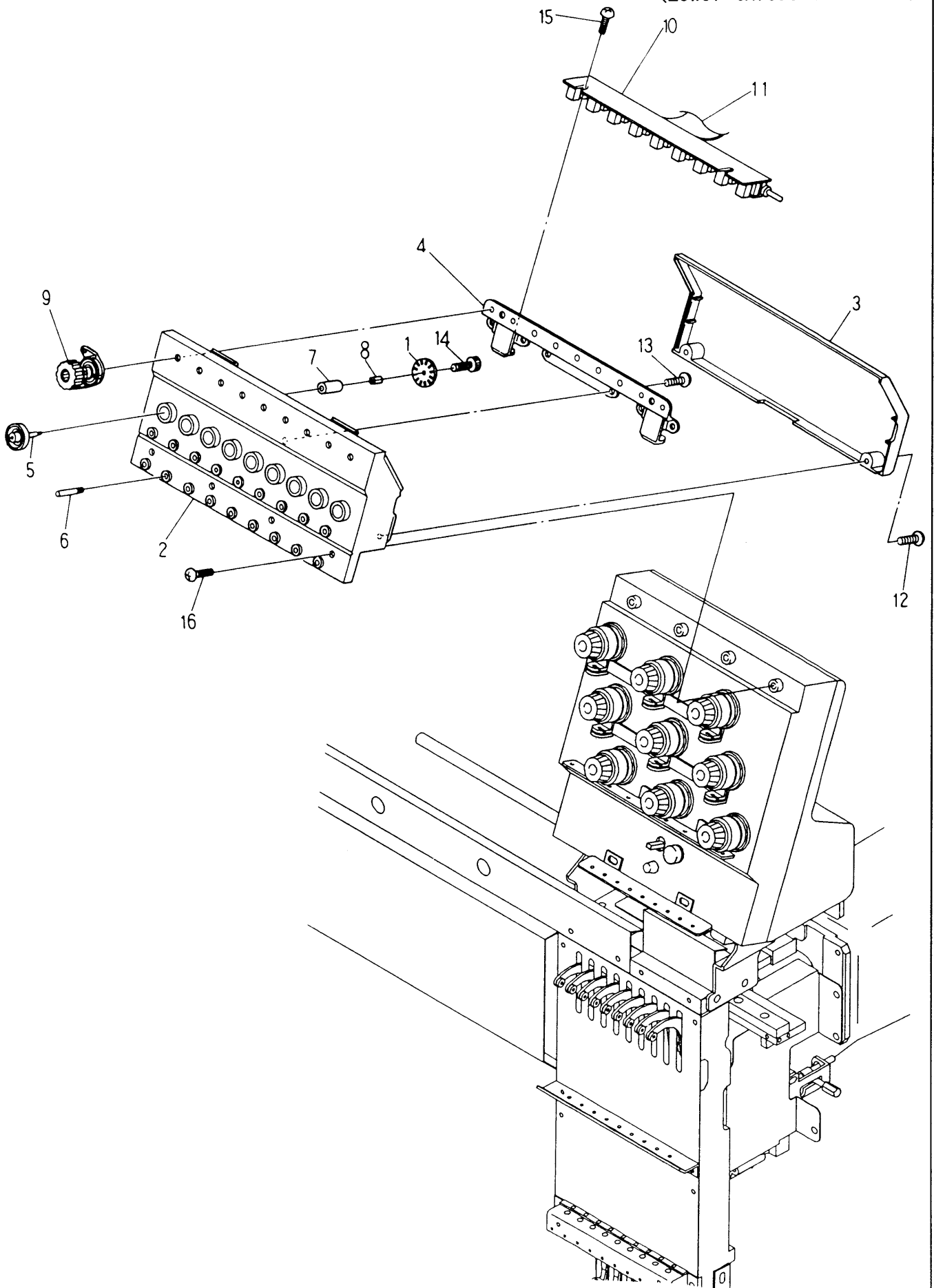






Barudan

③1 Thread guide mechanism  
(Lower thread sensorium)

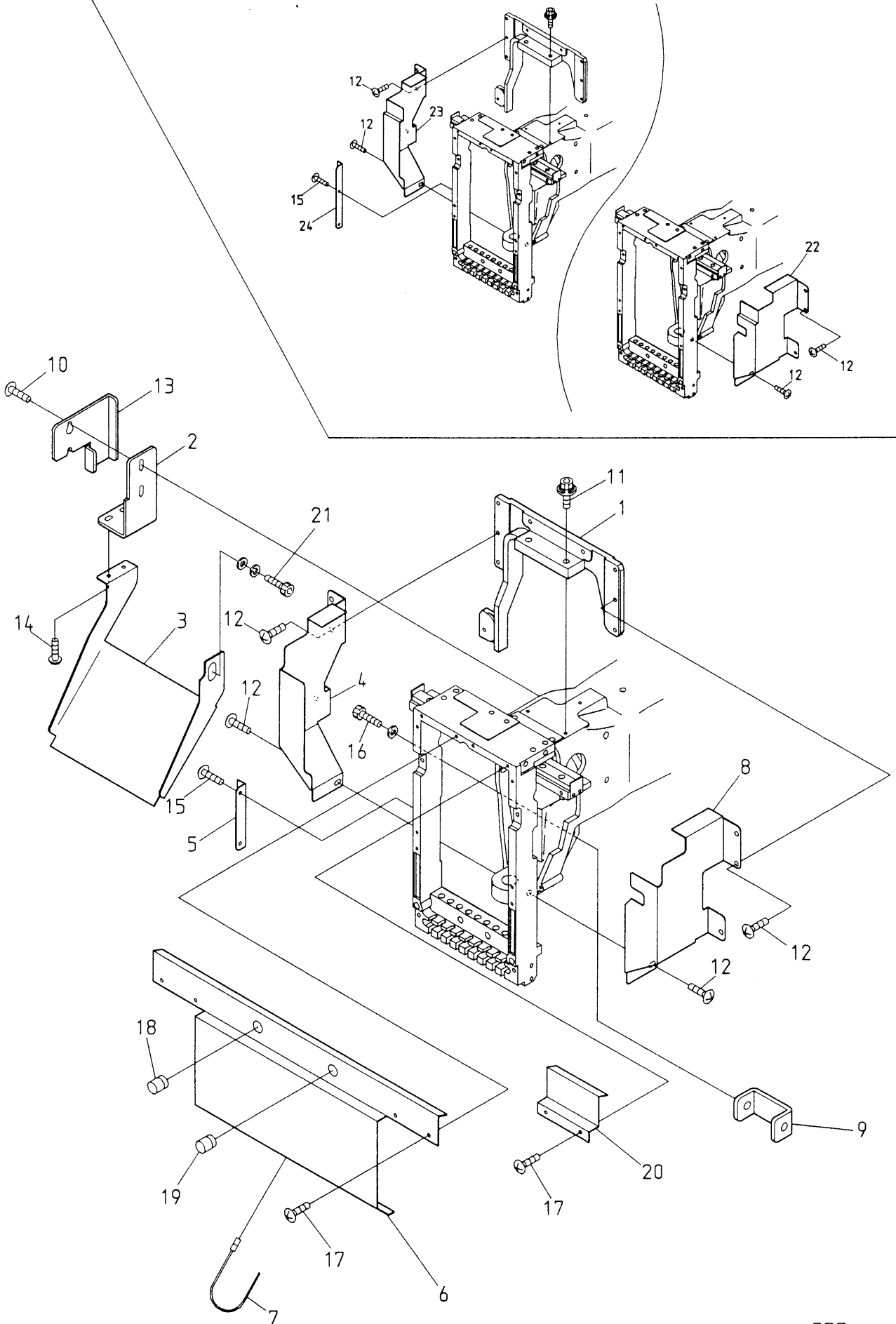


MODEL BEATME-

8	0	0	0	2
0	0	0	4	2
0	0	0	4	2
0	0	0	4	2

-ZN





MODEL BEATME 902-4-ZN 904 906 908







# I N D E X

L I S T	No.	P A G E No.	ITEM	L I S T	No.	P A G E No.	ITEM
1AKR025205201		3	1	A9011110		65	23
1AKR045205201		5	1	A9011110		69	13
1AKR065205201		7	1	A9011110		71	12
1AKR085205201		9	1	A9011111		67	14
1BKR025205200		3	2	A9011111		73	8
1BKR045205200		5	2	A9011111		75	8
1BKR065205200		7	2	A9011115		31	16
1BKR085205200		9	2	A9011131		53	23
1FKR025205200		55	1	A9011132		53	25
1FKR045205200		57	1	A9012002		43	5
1FKR065205200		59	1	A9012007		21	34
1FKR085205200		61	1	A9012007		25	26
1JP12380		79	3	A9012027		23	16
1JP15380		79	3	A9012032		3	21
1KKR025205201		3	3	A9012032		5	21
1KKR045205201		5	3	A9012032		7	21
1KKR065205201		7	3	A9012032		9	21
1KKR085205201		9	3	A9012051		33	16
1PKR02520		49	13	A9012052		65	19
1PKR04520		49	13	A9012052		69	9
1PKR06520		49	13	A9012052		71	9
1PKR08520		49	13	A9012064		53	22
1WKR025205200		55	2	A9012114		25	27
1WKR045205200		57	2	A9012127		41	19
1WKR065205200		59	2	A9012127		47	9
1WKR085205200		61	2	A9012164		27	10
2AKR025205201		3	4	A9012164		53	24
2AKR045205201		5	4	A9012190		31	8
2AKR065205201		7	4	A9012208		47	15
2AKR085205201		9	4	A9012231		19	8
2BKR025205201		11	1	A9012250		9	20
2BKR045205200		13	1	A9012250		19	6
2BKR065205200		15	1	A9012255		19	11
2BKR085205200		17	1	A9012259		3	20
2CHT912380		79	3	A9012259		5	20
2CHT915380		79	3	A9012259		7	20
A9010017		21	5	A9012263		63	9
A9010036		53	17	A9012264		53	27
A9010056		67	15	A9012266		11	8
A9010056		73	6	A9012266		13	8
A9010056		75	6	A9012266		15	8
A9010062		45	6	A9012266		17	8
A9010063		47	8	A9012320		51	17
A9010065		29	25	A9012368		41	15
A9011107		19	7	A9013066		25	21

# I N D E X

L I S T	No.	P A G E No.	ITEM	L I S T	No.	P A G E No.	ITEM
A 9 0 1 4 0 5 1		3 3	1 5	E B N 0 1 8 1 0		6 7	1 2
A 9 0 1 4 0 6 3		2 1	3 8	E B N 0 1 8 1 0		7 3	1 0
A 9 0 2 0 1 4 5		6 7	9	E B N 0 1 8 1 0		7 5	1 0
A 9 0 2 0 1 4 5		7 3	1 1	E B N 0 1 8 2 0		6 7	1 2
A 9 0 2 0 1 4 5		7 5	1 1	E B N 0 1 8 2 0		7 3	1 0
A 9 0 2 0 2 0 0		5 1	1 3	E B N 0 1 8 2 0		7 5	1 0
A 9 0 5 2 0 0 5		4 3	1 2	E B N 0 2 1 8 6		8 1	1 0
A 9 0 5 2 0 2 4		6 5	1 2	E B N 0 2 1 9 1		3 5	1 2
A 9 0 5 2 0 2 4		6 9	2 4	E B N 0 2 1 9 1		3 7	1 2
A 9 0 5 2 0 2 8		3 9	4	E B N 0 2 1 9 2		7 9	1 1
A 9 0 5 2 0 3 0		6 5	4	E B N 0 2 1 9 3		4 7	1 4
A 9 0 5 2 0 3 0		6 9	2 2	E B Y 0 1 6 2 4		3 5	3 2
A 9 0 5 2 0 3 1		6 5	1 4	E B Y 0 1 6 2 5		3 7	3 2
A 9 0 5 2 0 3 1		6 9	2 7	F R 6 0 0 5 2 8		5 3	2
A 9 0 5 2 0 3 2		7 5	1 9	F R 6 0 0 5 2 9		5 3	3
A 9 0 5 2 0 3 6		7 5	1 8	F R 9 2 3 0 0 2 9 0 A		5 3	1
A 9 0 5 4 0 4 2		4 5	1 5	H B 2 3 0 2 7 0		2 7	1 3
A 9 0 5 6 0 0 8		2 5	2	H B 2 3 0 3 7 2		3 1	1 1
A 9 0 5 6 0 1 3		4 1	2 3	H B 2 3 0 3 8 3		3 1	9
A 9 0 5 6 0 1 8		3 9	1	H B 2 3 0 3 9 0		3 1	7
A 9 0 5 6 0 2 0		3 3	6	H B 2 3 0 4 0 1		3 1	6
A 9 0 6 0 0 6 3		4 5	3	H B 2 3 0 4 1 4		3 1	1 8
A 9 0 6 5 0 2 6		4 3	1 8	H B 2 3 0 4 2 0		3 1	1 7
A 9 0 6 5 0 7 2		4 5	1 4	H B 2 3 0 5 6 0		3 3	7
A 9 0 6 5 0 7 3		4 5	1 3	H B 2 3 0 5 8 0		3 3	9
A 9 0 6 8 0 3 2		3 5	3	H B 2 3 0 5 9 0		3 1	5
A 9 0 6 8 0 3 2		3 7	3	H B 2 3 0 6 5 0		2 7	2 4
A 9 0 6 8 0 3 2		7 9	1 4	H B 2 4 0 0 2 0		3 3	1 0
A 9 0 6 8 0 3 3		7 9	1 2	H B 2 4 0 0 3 0		3 3	1 1
A 9 0 6 8 0 3 4		7 3	7	H B 2 4 0 0 4 1		3 3	8
A 9 0 6 8 0 3 4		7 9	2 8	H B 2 4 0 0 8 0		3 3	1 8
B K Y 5 1 0 0 1 0		7 9	1 3	H B 2 4 0 0 9 0		3 3	1 7
B K Y 5 1 0 0 2 0		7 9	1 3	H B 2 4 0 1 1 0		3 3	1 3
B K Y 5 1 0 0 3 0		7 9	1 3	H H 4 8 1 9 7 0		6 5	2 4
B K Y 5 1 0 0 4 0		7 9	1 3	H H 4 8 1 9 7 0		6 9	1 2
E A N 0 5 8 3 0 A 4		7 7	8	H H 4 8 1 9 7 0		7 1	1 1
E A N 0 5 8 A 2		7 7	7	H H 4 8 1 9 8 0		6 5	2 2
E A N 0 6 1 A 2		7 7	7	H H 4 8 1 9 8 0		6 9	1 5
E A N 0 6 3 A 2		7 7	7	H H 4 8 1 9 8 0		7 1	1 4
E B N 0 1 6 9 0		7 7	1 7	H H 4 8 1 9 9 1		6 5	1 6
E B N 0 1 7 0 0		7 7	1 6	H H 4 8 1 9 9 1		6 9	7
E B N 0 1 7 1 0		7 7	1 5	H H 4 8 1 9 9 1		7 1	7
E B N 0 1 7 2 0		7 7	1 4	H H 4 8 2 1 1 0		6 5	1 7
E B N 0 1 7 3 0		7 7	1 3	H H 4 8 2 1 1 0		6 9	1 0
E B N 0 1 7 5 0		7 7	1 2	H H 4 8 2 1 1 0		7 1	1 0

# I N D E X

L I S T	No.	P A G E No.	ITEM	L I S T	No.	P A G E No.	ITEM
HP 2 3 1 3 9 0		2 1	1 3	HT 2 4 0 1 6 0		3 7	5
HP 2 4 1 4 3 0		7 9	4	HT 2 4 0 1 7 0		3 5	6
HP 3 1 3 6 9 0		5 1	2 5	HT 2 4 0 1 7 0		3 7	6
HP 3 2 1 1 4 0		2 1	4 3	HT 2 4 0 1 8 0		3 5	7
HP 3 2 1 1 4 0		6 7	6	HT 2 4 0 1 8 0		3 7	7
HP 3 2 1 1 4 0		7 3	3	HT 2 4 0 2 1 1		3 5	1 5
HP 3 2 1 1 4 0		7 5	3	HT 2 4 0 2 1 1		3 7	1 5
HP 4 8 2 9 5 0		6 3	5	HT 2 4 0 2 2 0		3 5	1 6
HP 4 8 2 9 5 0		6 5	5	HT 2 4 0 2 2 0		3 7	1 6
HP 4 8 2 9 5 0		6 9	1 9	HT 2 4 0 2 3 0		3 5	1 7
HP 4 8 3 1 1 1		6 9	1 8	HT 2 4 0 2 3 0		3 7	1 7
HP 4 8 3 3 7 0		6 9	1 7	HT 2 4 0 2 4 0		3 5	1 8
HP 7 1 0 7 9 1		7 9	7	HT 2 4 0 2 4 0		3 7	1 8
HP 7 1 1 2 0 0		7 9	1	HT 2 4 0 2 5 0		8 1	2
HP 7 1 1 2 1 0		7 9	1	HT 2 4 0 2 7 0		8 1	3
HS 4 6 0 0 3 0		5 3	5	HT 2 4 0 2 8 0		8 1	4
HS 4 6 0 0 5 0		5 3	6	HT 2 4 0 2 9 0		8 1	5
HS 4 6 0 2 0 0		5 3	4	HT 2 4 0 3 0 0		8 1	6
HS 4 6 0 2 1 0		5 3	7	HT 2 4 0 3 1 0		8 1	7
HS 7 3 0 0 0 0		5 3	1 0	HT 2 4 0 3 3 1		3 5	1 9
HT 2 3 0 0 4 1		2 9	3	HT 2 4 0 3 3 1		3 7	1 9
HT 2 3 0 0 5 1		2 9	7	HT 2 4 0 3 4 0		8 1	9
HT 2 3 0 0 9 0		2 7	6	HT 2 4 0 3 9 1		3 5	1 1
HT 2 3 0 1 0 0		2 7	7	HT 2 4 0 3 9 1		3 7	1 1
HT 2 3 0 1 2 0		2 9	1 1	HT 2 4 0 5 2 3		3 5	1 4
HT 2 3 0 1 3 0		2 9	1	HT 2 4 0 5 2 3		3 7	1 4
HT 2 3 0 1 4 3		2 9	9	HT 2 7 0 0 6 2		4 1	1 1
HT 2 3 0 1 5 1		2 9	2	HT 2 7 0 1 6 0		2 5	1 5
HT 2 3 0 2 0 1		3 1	1 0	HT 2 7 0 1 8 0		2 5	1 6
HT 2 3 0 2 2 0		3 3	4	HT 7 1 0 0 0 0		7 9	6
HT 2 3 0 2 5 1		2 9	5	KB 2 1 0 1 7 0		3 3	1
HT 2 3 0 2 6 3		2 9	6	KB 2 3 0 0 1 0		2 1	2 8
HT 2 3 0 5 2 0		4 1	1 4	KB 2 3 0 0 3 0		2 1	3 1
HT 2 3 0 6 2 0		3 3	5	KB 2 3 0 0 5 0		2 1	3 3
HT 2 3 0 6 7 0		2 9	1 2	KB 2 3 0 0 6 0		3 1	1 5
HT 2 3 0 8 1 0		2 9	4	KB 2 3 0 0 7 0		3 1	1 4
HT 2 4 0 0 6 2		3 5	1 0	KB 2 3 0 0 8 0		3 1	1 3
HT 2 4 0 0 6 2		3 7	1 0	KB 2 3 0 1 0 0		2 7	1 1
HT 2 4 0 1 0 0		8 1	1	KB 2 3 0 1 1 0		2 7	1 2
HT 2 4 0 1 2 0		3 5	1	KB 2 4 0 0 4 0		3 3	1 2
HT 2 4 0 1 2 0		3 7	1	KB 2 5 0 0 5 0		7 3	1
HT 2 4 0 1 3 0		3 5	2	KC 1 1 0 9 1 0		3	1 3
HT 2 4 0 1 5 0		3 5	4	KC 1 1 0 9 1 0		5	1 3
HT 2 4 0 1 5 0		3 7	4	KC 1 1 0 9 1 0		7	1 3
HT 2 4 0 1 6 0		3 5	5	KC 1 1 0 9 1 0		9	1 3

# I N D E X

L I S T	No.	P A G E No.	ITEM	L I S T	No.	P A G E No.	ITEM
K C 2 2 0 2 1 0		2 3	1 9	K F 2 4 0 9 0 0		7 9	5
K C 2 5 0 4 7 1		2 3	1 7	K F 2 5 0 2 2 0		4 1	5
K C 2 5 0 4 8 2		2 3	1 8	K F 2 5 0 2 3 1		4 1	3
K C 2 5 1 3 3 0		2 1	2 7	K F 2 5 0 2 4 1		4 1	4
K C 2 7 0 1 0 1		4 1	2 4	K F 2 5 0 2 5 0		4 1	2
K C 2 7 0 9 7 0		2 5	2 2	K F 2 7 0 1 1 0		4 1	7
K C 2 7 1 0 0 1		2 5	1 2	K F 3 2 0 5 2 0		6 7	7
K C 2 7 1 0 2 1		2 5	1 1	K F 3 2 0 5 2 0		7 3	1 4
K C 2 7 1 0 3 1		2 5	1 0	K F 3 2 0 5 2 0		7 5	1 4
K C 2 7 1 0 4 1		2 5	9	K F 5 3 0 1 1 1		7 7	4
K C 2 7 1 1 2 0		2 5	2 8	K F 5 3 0 1 2 0		7 7	4
K C 2 7 1 1 3 0		2 5	3 0	K F 5 3 0 1 5 1		7 7	6
K C 2 7 1 1 4 0		4 3	7	K F 5 3 0 1 6 0		7 7	1
K C 2 7 1 1 5 1		4 3	1 1	K F 5 3 0 1 7 1		7 7	2
K C 2 7 1 1 6 2		4 3	1 5	K G 7 1 0 1 6 1		7 9	2
K C 2 7 1 4 3 0		4 3	1 7	K K 1 4 0 0 0 0		3	1 4
K C 2 7 1 4 4 0		4 3	1	K K 1 4 0 0 0 0		5	1 4
K C 2 7 1 9 4 0		2 5	7	K K 1 4 0 0 0 0		7	1 4
K C 2 7 1 9 6 0		2 5	3	K K 1 4 0 0 0 0		9	1 4
K C 3 1 2 8 9 0		4 9	7	K K 1 4 0 0 1 0		1 9	2
K C 3 2 0 5 9 0		4 9	5	K K 1 4 0 0 2 0		3	1 9
K C 3 3 0 1 7 0		4 5	2	K K 1 4 0 0 2 0		5	1 6
K C 3 3 0 1 8 0		4 3	6	K K 1 4 0 0 2 0		7	1 6
K C 3 3 0 4 1 0		4 3	2	K K 1 4 0 0 2 0		9	1 6
K C 3 3 0 5 1 0		4 3	3	K K 1 4 0 0 5 0		1 1	2
K C 4 5 0 9 2 0		5 5	1 8	K K 1 4 0 0 5 0		1 3	2
K C 5 3 0 2 3 0		7 7	5	K K 1 4 0 0 5 0		1 5	2
K C 5 3 0 2 4 0		7 7	3	K K 1 4 0 0 5 0		1 7	2
K F 2 2 0 1 3 0		2 1	1 1	K K 1 4 0 0 6 1		3	1 5
K F 2 2 0 2 3 0		2 3	1 0	K K 1 4 0 0 6 1		5	1 5
K F 2 2 0 2 7 1		2 3	4	K K 1 4 0 0 6 1		7	1 5
K F 2 2 0 2 9 0		2 3	1 1	K K 1 4 0 0 6 1		9	1 5
K F 2 2 0 4 1 0		2 3	8	K K 1 4 0 0 7 0		1 9	1
K F 2 2 0 4 4 0		2 3	7	K K 1 4 0 0 8 0		1 9	1 3
K F 2 2 0 4 7 0		2 3	1	K K 1 4 0 1 1 1		1 1	3
K F 2 2 0 4 8 0		2 3	1 3	K K 1 4 0 1 1 1		1 3	3
K F 2 2 0 7 5 0		2 3	9	K K 1 4 0 1 1 1		1 5	3
K F 2 3 0 2 4 0		2 9	2 7	K K 1 4 0 1 1 1		1 7	3
K F 2 3 0 2 5 0		2 9	1 3	K K 1 4 0 1 4 1		1 9	3
K F 2 3 0 4 2 0		2 1	3 0	K K 1 4 0 1 5 1		1 9	5
K F 2 3 0 5 0 0		2 7	8	K K 1 4 0 1 6 0		3	1 8
K F 2 3 0 5 8 0		4 1	6	K K 1 4 0 1 6 0		5	1 7
K F 2 3 0 6 4 0		2 5	3 1	K K 1 4 0 1 6 0		7	1 7
K F 2 3 0 9 1 0		2 9	1 0	K K 1 4 0 1 6 0		9	1 7
K F 2 3 0 9 2 0		2 9	1 6	K K 1 4 0 1 7 0		3	5

# I N D E X

L I S T	No.	P A G E No.	ITEM	L I S T	No.	P A G E No.	ITEM
KK 1 4 0 1 7 0		5	5	KK 4 6 0 1 4 0		5 3	2 6
KK 1 4 0 1 7 0		7	5	KK 4 8 0 0 4 0		6 3	7
KK 1 4 0 1 7 0		9	5	KK 4 8 0 0 5 0		6 3	3
KK 1 4 0 2 0 1		1 1	7	KK 4 8 0 0 7 0		6 3	8
KK 1 4 0 2 0 1		1 3	7	KK 4 8 0 1 0 0		5 5	6
KK 1 4 0 2 0 1		1 5	7	KK 4 8 0 1 0 0		5 7	6
KK 1 4 0 2 0 1		1 7	7	KK 4 8 0 1 0 0		5 9	6
KK 1 4 0 2 1 0		1 1	5	KK 4 8 0 1 0 0		6 1	6
KK 1 4 0 2 1 0		1 3	5	KK 4 8 0 1 2 0		6 3	1
KK 1 4 0 2 1 0		1 5	5	KK 4 8 0 1 4 0		6 3	6
KK 1 4 0 2 1 0		1 7	5	KK 4 8 0 1 4 0		6 5	8
KK 1 4 0 2 2 0		1 3	4	KK 4 8 0 1 6 1		6 3	4
KK 1 4 0 2 2 0		1 5	4	KL 2 1 0 1 4 0		2 1	1 7
KK 1 4 0 2 2 0		1 7	4	KL 2 2 0 0 0 0		2 1	1 6
KK 1 4 0 2 8 1		1 1	6	KL 2 2 0 0 1 0		2 1	2 4
KK 1 4 0 2 8 1		1 3	6	KL 2 2 0 0 2 0		2 1	2 9
KK 1 4 0 2 8 1		1 5	6	KL 2 2 0 0 3 0		2 1	1 5
KK 1 4 0 2 8 1		1 7	6	KL 2 2 0 0 4 0		2 1	6
KK 1 4 0 2 9 1		1 1	9	KL 2 2 0 0 5 0		2 1	2 1
KK 1 4 0 2 9 1		1 3	9	KL 2 2 0 0 6 0		2 3	2
KK 1 4 0 2 9 1		1 5	9	KL 2 2 0 0 7 0		2 3	1 2
KK 1 4 0 2 9 1		1 7	9	KL 2 2 0 0 8 0		2 1	1 2
KK 1 4 0 3 2 0		1 9	9	KL 2 2 0 0 9 0		2 1	4
KK 1 4 0 3 3 0		1 9	1 0	KL 2 2 0 1 0 0		2 1	1
KK 1 4 0 3 4 0		1 9	1 2	KL 2 2 0 1 2 0		2 3	2 0
KK 1 4 0 3 5 0		1 1	1 0	KL 2 2 0 1 3 0		2 1	1 4
KK 1 4 0 3 5 0		1 3	1 0	KL 2 2 0 1 4 0		2 3	3
KK 1 4 0 3 5 0		1 5	1 0	KL 2 2 0 1 5 0		2 1	8
KK 1 4 0 3 5 0		1 7	1 0	KL 2 5 0 0 4 0		2 1	7
KK 1 4 0 3 7 0		1 1	2 1	KL 2 5 0 0 5 1		2 1	2 6
KK 1 4 0 3 7 0		1 3	2 1	KL 2 5 0 0 5 1		7 5	1 3
KK 1 4 0 3 7 0		1 5	2 1	KL 2 7 0 0 8 1		3 9	2
KK 1 4 0 3 7 0		1 7	2 1	KL 2 7 0 0 9 1		3 9	8
KK 4 6 0 0 0 0		5 3	1 9	KL 2 7 0 1 0 1		3 9	9
KK 4 6 0 0 1 0		5 3	1 6	KL 2 7 0 1 1 0		3 9	7
KK 4 6 0 0 2 0		5 3	2 0	KL 2 7 0 1 2 0		3 9	1 0
KK 4 6 0 0 3 1		5 3	1 8	KL 2 7 0 1 3 0		3 9	1 1
KK 4 6 0 0 4 0		5 3	1 4	KL 2 7 0 2 6 0		3 9	3
KK 4 6 0 0 5 0		5 3	9	KL 2 7 0 4 5 0		3 9	6
KK 4 6 0 0 6 1		5 3	1 1	KL 3 2 0 0 0 0		2 1	3 5
KK 4 6 0 0 7 0		5 3	1 2	KL 3 2 0 0 2 0		2 1	3 7
KK 4 6 0 0 8 0		5 3	1 5	KN 2 7 0 9 5 2		2 5	2 0
KK 4 6 0 0 9 0		5 3	1 3	KN 2 7 0 9 6 1		2 5	1 4
KK 4 6 0 1 2 0		5 3	2 1	KN 2 7 1 7 1 2		4 3	2 2
KK 4 6 0 1 3 0		5 3	8	KN 2 7 2 3 5 0		4 3	8

# I N D E X

L I S T	No.	P A G E No.	ITEM	L I S T	No.	P A G E No.	ITEM
KN 2 7 2 4 0 0		2 5	4	KR 3 1 0 0 2 0		5 1	8
KN 2 7 2 4 0 0		3 9	5	KR 3 1 0 0 7 0		5 1	1 2
KN 3 1 0 0 1 0		5 1	2	KR 3 1 0 0 9 0		4 9	1
KN 3 1 5 1 1 0		5 1	9	KR 3 1 0 1 0 0		4 9	1 0
KN 4 5 0 3 0 0		6 5	1 3	KR 3 1 0 1 1 0		4 9	1 1
KN 4 5 0 3 0 0		6 9	2 6	KR 3 1 0 1 2 0		4 9	4
KN 4 5 0 3 1 1		6 9	2 1	KR 3 1 0 1 3 0		4 9	3
KN 4 8 0 0 6 1		6 5	9	KR 3 2 0 0 1 0		5 1	1 1
KN 4 8 0 0 6 1		6 9	4	KR 3 3 0 1 1 0		4 9	6
KN 4 8 0 0 6 1		7 1	4	<del>KR 3 3 0 1 6 0</del>		7 9	2 7
KN 4 8 3 4 5 0		6 9	2	KR 4 7 0 0 0 0		6 5	3 7
KN 4 8 3 4 5 0		7 1	2	KR 4 7 0 0 1 0		6 5	3 7
KN 5 1 1 0 2 0		4 9	9	KR 4 7 0 0 2 0		6 5	3 7
KN 5 4 0 5 1 0		8 1	8	KR 4 7 0 0 3 0		6 5	3 7
KP 3 2 1 1 4 0		4 9	2	KR 4 8 0 0 0 0		6 9	8
KR 1 4 0 0 0 0		3	8	KR 4 8 0 0 0 1		6 5	1 8
KR 1 4 0 0 0 0		5	8	KR 4 8 0 0 0 1		7 1	8
KR 1 4 0 0 0 0		7	8	KR 4 8 0 0 1 1		6 5	2 1
KR 1 4 0 0 0 0		9	8	KR 4 8 0 0 1 1		6 9	1 4
KR 1 4 0 0 1 0		3	6	KR 4 8 0 0 1 1		7 1	1 3
KR 1 4 0 0 1 0		5	6	KR 4 8 0 0 2 0		6 7	2
KR 1 4 0 0 1 0		7	6	KR 4 8 0 0 2 0		7 3	2
KR 1 4 0 0 1 0		9	6	KR 4 8 0 0 2 0		7 5	2
KR 1 4 0 0 2 0		3	9	KR 4 8 0 0 3 0		6 5	7
KR 1 4 0 0 2 0		5	9	KR 4 8 0 0 3 0		6 9	2 0
KR 1 4 0 0 2 0		7	9	KR 4 8 0 0 3 0		7 1	1 5
KR 1 4 0 0 2 0		9	9	KR 4 8 0 0 4 0		6 7	1 1
KR 1 4 0 0 3 0		3	1 0	KR 4 8 0 0 4 0		7 3	1 3
KR 1 4 0 0 3 0		5	1 0	KR 4 8 0 0 4 0		7 5	1 3
KR 1 4 0 0 3 0		7	1 0	KR 4 8 0 0 5 0		6 5	2 0
KR 1 4 0 0 3 0		9	1 0	KR 4 8 0 0 5 0		6 9	6
KR 1 4 0 0 3 0		1 9	4	KR 4 8 0 0 5 0		7 1	6
KR 1 4 0 0 4 0		3	7	KR 4 8 0 0 6 0		6 5	1 5
KR 1 4 0 0 4 0		5	7	KR 4 8 0 0 6 0		6 9	5
KR 1 4 0 0 4 0		7	7	KR 4 8 0 0 6 0		7 1	5
KR 1 4 0 0 4 0		9	7	KR 4 8 0 0 7 0		6 9	2 8
KR 1 4 0 0 5 0		3	1 6	KR 4 8 0 0 8 0		6 7	3
KR 1 4 0 0 5 0		5	1 9	KR 4 8 0 0 8 0		7 3	4
KR 1 4 0 0 5 0		7	1 9	KR 4 8 0 0 8 0		7 5	4
KR 1 4 0 0 5 0		9	1 9	KR 4 8 0 0 9 0		6 7	1 3
KR 1 4 0 0 6 0		1 1	1 1	KR 4 8 0 0 9 0		7 3	9
KR 1 4 0 0 6 0		1 3	1 1	KR 4 8 0 0 9 0		7 5	9
KR 1 4 0 0 6 0		1 5	1 1	KR 4 8 0 1 0 0		6 7	1 6
KR 1 6 0 0 3 0		1 1	4	KR 4 8 0 1 0 0		7 3	7
KR 3 1 0 0 0 0		5 1	1	KR 4 8 0 1 0 0		7 5	7



# I N D E X

L I S T	No.	P A G E No.	ITEM	L I S T	No.	P A G E No.	ITEM
K R 4 8 0 1 1 0		7 3	1 5	K T 2 3 0 0 3 1		2 7	5
K R 4 8 0 1 1 0		7 5	1 5	K T 2 3 0 0 5 1		2 7	9
K R 4 8 0 1 1 1		6 7	8	K U 3 1 5 2 5 0		5 1	1 4
K R 4 8 0 1 2 1		6 7	1 0	K U 4 6 0 2 7 0		6 5	1 0
K R 4 8 0 1 2 1		7 3	1 2	K U 4 6 0 2 7 0		6 9	2 5
K R 4 8 0 1 2 1		7 5	1 2	K V 3 1 0 0 4 0		5 1	3
K R 4 8 0 1 3 0		5 5	9	K V 3 1 0 0 5 0		5 1	4
K R 4 8 0 1 3 0		5 7	9	K V 3 1 0 0 5 0		5 1	6
K R 4 8 0 1 3 0		5 9	9	K V 3 1 0 0 7 0		5 1	1 0
K R 4 8 0 1 3 0		6 1	9	K V 3 1 0 0 9 0		5 1	7
K R 4 8 0 1 4 0		7 3	1	K V 3 1 0 1 1 0		5 1	5
K R 4 8 0 1 4 0		7 5	1	K X 2 1 0 0 0 0		2 3	6
K R 4 8 0 1 5 0		6 7	1	K X 2 1 0 0 1 0		2 1	2 5
K R 4 8 0 1 6 0		6 5	3	K X 2 3 0 0 0 0		2 9	1 4
K R 4 8 0 1 7 0		5 5	1 0	K X 2 3 0 0 1 0		2 9	1 8
K R 4 8 0 1 7 0		5 7	1 0	K X 2 3 0 0 2 0		2 9	2 0
K R 4 8 0 1 7 0		5 9	1 0	K X 2 3 0 0 3 0		2 9	2 3
K R 4 8 0 1 7 0		6 1	1 0	K X 2 3 0 0 4 0		2 9	1 7
K R 4 8 0 1 8 0		6 7	4	K X 2 3 0 0 5 0		2 9	2 4
K R 4 8 0 1 9 0		7 3	5	K X 2 3 0 0 6 0		2 9	1 9
K R 4 8 0 1 9 0		7 5	5	K X 2 3 0 0 7 0		2 7	4
K R 4 8 0 2 0 0		6 7	5	K X 2 3 0 0 8 0		2 9	2 6
K R 4 8 0 2 1 0		6 9	1	K X 2 3 0 0 9 0		2 7	1
K R 4 8 0 2 1 0		7 1	1	K X 2 3 0 1 0 0		3 3	3
K R 4 8 0 2 2 0		6 9	1 6	K X 2 3 0 1 1 0		2 7	1 8
K R 4 8 0 2 3 0		6 3	2	K X 2 3 0 1 2 0		2 7	1 7
K R 4 8 0 2 4 0		6 5	2	K X 2 3 0 1 3 0		2 7	1 4
K R 4 8 0 2 5 0		5 5	7	K X 2 3 0 1 4 0		2 7	1 5
K R 4 8 0 2 5 0		5 7	7	K X 2 3 0 1 5 0		2 7	1 6
K R 4 8 0 2 5 0		5 9	7	K X 2 3 0 1 6 0		2 7	2
K R 4 8 0 2 5 0		6 1	7	K X 2 3 0 1 7 0		4 7	2
K R 4 8 0 2 6 0		6 5	1	K X 2 3 0 1 8 0		2 9	1 5
K R 4 8 0 2 7 0		5 5	8	K X 2 3 0 1 9 0		2 9	2 2
K R 4 8 0 2 7 0		5 7	8	K X 2 3 0 2 0 0		2 7	1 9
K R 4 8 0 2 7 0		5 9	8	K X 2 3 0 2 1 0		3 1	1 2
K R 4 8 0 2 7 0		6 1	8	K X 2 3 0 2 2 0		2 9	2 1
K R 4 8 0 2 8 0		6 9	3	K X 2 3 0 2 3 0		3 1	3
K R 4 8 0 2 8 0		7 1	3	K X 2 3 0 2 4 0		3 1	2
K R 4 8 0 2 9 0		6 5	6	K X 2 3 0 2 5 0		2 9	8
K R 4 8 0 3 3 0		5 5	5	K X 2 3 0 2 6 0		2 9	4 1
K R 4 8 0 3 3 0		5 7	5	K X 2 3 0 2 7 0		2 7	3
K R 4 8 0 3 3 0		5 9	5	K X 2 3 0 2 7 0		2 9	4 3
K R 4 8 0 3 3 0		6 1	5	K X 2 3 0 2 8 0		4 7	1
K R 4 9 0 0 0 0		6 9	1 1	K X 2 3 0 3 0 0		2 9	4 2
K S 2 7 0 0 3 0		4 3	1 0	K X 2 3 0 3 1 0		2 7	3 0

# I N D E X

L I S T	No.	P A G E No.	I T E M	L I S T	No.	P A G E No.	I T E M
K X 2 4 0 0 0 0		3 5	2 1	K X 2 7 0 3 0 0		4 1	2 2
K X 2 4 0 0 0 0		3 7	2 1	K X 2 7 0 3 1 0		4 1	2 0
K X 2 4 0 0 1 0		3 5	2 0	K X 2 7 0 3 2 0		4 1	1 7
K X 2 4 0 0 1 0		3 7	2 0	K X 2 7 0 3 3 0		4 1	2 5
K X 2 4 0 0 2 0		2 7	2 0	K X 2 7 0 3 4 0		4 1	1 3
K X 2 4 0 0 3 0		3 5	9	K X 2 7 0 3 5 0		4 1	2 1
K X 2 4 0 0 3 0		3 7	9	K X 2 7 0 3 6 0		4 1	1 6
K X 2 4 0 0 4 0		3 3	2	K X 2 7 0 3 7 0		3 9	1 3
K X 2 4 0 0 5 0		3 3	1 4	K X 3 3 0 0 0 0		<del>7 3</del> 83	6
K X 2 4 0 0 6 0		3 5	1 3	K X 3 3 0 0 1 0		3 1	4
K X 2 4 0 1 5 0		3 5	3 3	K X 3 3 0 0 2 0		3 1	1
K X 2 4 0 1 5 0		3 7	3 5	K X 3 3 0 0 6 0		4 5	9
K X 2 5 0 0 0 0		2 3	5	K X 3 3 0 0 7 0		4 5	1 2
K X 2 5 0 0 1 0		2 3	1 5	K X 3 3 0 0 8 0		4 5	1 6
K X 2 5 0 0 2 0		2 7	2 8	K X 3 3 0 0 9 0		4 5	7
K X 2 5 0 0 3 0		2 7	2 9	K X 3 3 0 1 1 0		4 5	1 0
K X 2 5 0 0 4 0		7 3	8	K X 3 3 0 1 2 0		4 5	8
K X 2 5 0 0 5 0		7 3	4	K X 3 3 0 1 3 0		4 5	1
K X 2 5 0 0 6 0		7 5	2 0	K X 3 3 0 1 4 0		4 5	1 1
K X 2 5 0 0 7 0		7 3	5	K X 3 3 0 1 6 0		4 7	7
K X 2 5 0 0 8 0		2 3	2 3	K X 3 3 0 1 7 0		4 7	5
K X 2 5 0 0 8 0		2 5	1 8	K X 3 3 0 1 8 0		4 5	1 7
K X 2 5 0 1 0 0		4 7	2 7	K X 3 3 0 1 9 0		4 5	1 8
K X 2 5 0 1 1 0		3 7	3 3	K X 3 3 0 2 0 0		4 7	1 2
K X 2 5 0 1 4 0		7 5	2 2	K X 3 3 0 2 1 0		4 7	1 3
K X 2 5 0 1 5 0		7 5	2 3	K X 3 3 0 2 2 0		4 7	1 1
K X 2 5 0 1 6 0		7 5	2 4	K X 3 3 0 2 3 0		4 7	1 0
K X 2 7 0 0 0 0		2 5	2 3	K X 3 3 0 2 4 0		4 7	6
K X 2 7 0 0 1 0		2 5	1 9	K X 3 3 0 2 5 0		4 5	4
K X 2 7 0 0 2 0		2 5	1 3	K X 3 3 0 2 6 0		4 7	1 7
K X 2 7 0 0 3 0		2 5	2 9	K X 3 3 0 2 7 1		4 5	5
K X 2 7 0 0 5 0		3 9	1 2	K X 3 3 0 2 8 0		4 7	3
K X 2 7 0 0 6 0		3 9	1.5	K X 3 3 0 2 9 0		4 7	4
K X 2 7 0 0 7 0		3 9	1 4	K X 3 3 0 3 0 0		4 7	1 6
K X 2 7 0 0 8 0		4 1	1 2	K X 3 3 0 3 1 0		<del>7 3</del> 85	6
K X 2 7 0 0 9 0		4 1	9	K X 3 3 0 4 0 0		7 5	2 4
K X 2 7 0 1 0 0		4 1	8	K X 3 3 0 3 2 0		3 7	2
K X 2 7 0 1 2 0		4 1	1 0	K X 3 3 0 3 3 0		3 7	1 3
K X 2 7 0 2 2 0		3 9	1 6	K X 5 1 0 0 1 0		7 9	1 0
K X 2 7 0 2 3 0		4 1	1	K X 5 1 0 0 2 0		7 9	8
K X 2 7 0 2 5 0		7 3	3	K X 7 9 0 0 0 0		4 7	3 0
K X 2 7 0 2 6 0		7 3	2	K X 7 9 0 0 1 0		5 1	2 6
K X 2 7 0 2 7 0		7 5	9	M A 1 4 0 3 2 0		3	1 7
K X 2 7 0 2 8 0		2 5	1	M A 1 4 0 3 2 0		5	1 8
K X 2 7 0 2 9 0		4 1	1 8	M A 1 4 0 3 2 0		7	1 8

